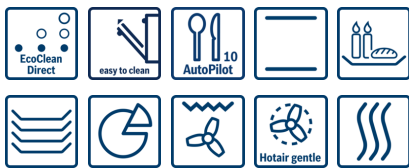


Serie | 8, Built-in oven, Stainless steel HBG655HS1A



Included accessories

1 x grill tray
suit. pyrol. clean.
2 x combination grid
1 x universal pan

Optional accessories

HEZ327000 : Pizza stone

The built-in oven: you get perfect baking and roasting results.

- **4D Hot Air:** even heat distribution for perfect results, using up to 4 different levels simultaneously.
- **AutoPilot 10:** every dish is a perfect success thanks to 10 pre-set automatic programmes.
- **TFT display control:** easy-to-use thanks to the control ring with full text and symbols.
- **EcoClean Direct:** almost no cleaning is necessary thanks to a special coating that automatically absorbs grime.
- **Energy efficiency:** Best baking results with low energy consumption.

Technical Data

Color / Material Front :	Stainless steel
Built-in / Free-standing :	Built-in
Integrated Cleaning system :	Catalytic all sides
Required niche size for installation (HxWxD) :	585-595 x 560-568 x 550
Dimensions of the product (mm) :	595 x 594 x 548
Dimensions of the packed product (HxWxD) (mm) :	675 x 690 x 660
Control Panel Material :	Stainless steel
Door Material :	Glass
Net weight (kg) :	37.916
Usable volume of cavity (l) :	71
Cooking method :	, 4D hot air, Bottom heat, Conventional heat, Defrost, Full width grill, Half width grill, Hot Air-Eco, Hot air grilling, low temperature cooking, Pizza setting, pre-heating, warming
First cavity material :	Enamelled
Temperature control :	electronic
Number of interior lights :	1
Approval certificates :	CE, VDE
Length electrical supply cord (cm) :	120
EAN code :	4242002826998
Number of cavities (2010/30/EC) :	1
Energy efficiency class (2010/30/EC) :	A
Energy consumption per cycle conventional (2010/30/EC) :	0.90
Energy consumption per cycle forced air convection (2010/30/EC) :	0.74
Energy efficiency index (2010/30/EC) :	87.1
Connection Rating (W) :	3600
Current (A) :	16
Voltage (V) :	220-240
Frequency (Hz) :	50; 60
Plug type :	no plug



4 242002 826998

Serie | 8, Built-in oven, Stainless steel HBG655HS1A

The built-in oven: you get perfect baking and roasting results.

Type / heating methods

- Oven with 13 heating methods:
4D hot air, Hot Air-Eco, Conventional top/bottom heat, Conventional heat ECO, Hot air grilling, Grill large area, Grill small area, Pizza setting, Bottom heat, Slow cooking, Defrost setting, Plate warming, Keep warm
- Temperature range 30 °C - 300 °C
- Cavity volume: 71 l

Design

- Stainless steel control ring
- Stainless steel straight bar handle
- Door: Bottom hinge, SoftClose, SoftOpen
- Full glass inner door

Additional features

- TFT display screen
- Digital temperature display suggested setting
Actual temperature display
Temperature indicator line
automatic programming
Sabbath setting
- Programs
- Number of automatic programmes: 10 PC
- Rapid heating-up
- Child lock
Automatic switch off
Residual heat indicator
Start button
Door contact switch
- Halogen interior lighting, Switch for oven illumination
- Cooling fan
- Stainless-steel fan
- Info button
- Cavity with shelf support rails, 2 level telescopic shelf rails, 3 level telescopic shelf rails full extension, Detend function
- Maximum window temperature 40° C

Cleaning

- EcoClean Direct : ceiling, back panel, side liners
- ecolyse program

Accessories

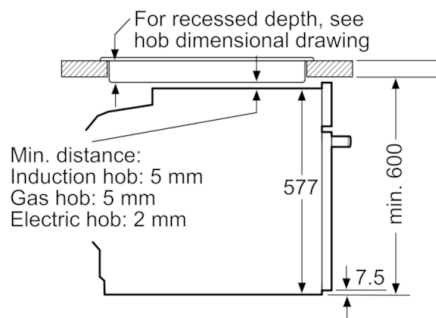
- 1 x enamel baking tray, 2 x combination grid, 1 x universal pan

Technical Info

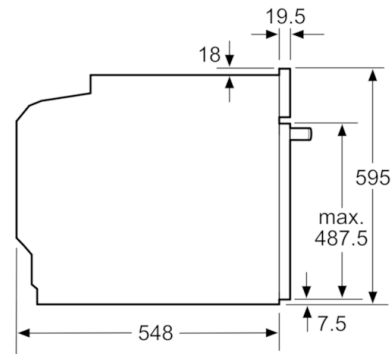
- Length of mains cable: 120 cm
- Total connected load electric: 3.65 KW
- Appliance dimension (hxwx): 595 mm x 595 mm x 548 mm
- Niche dimension (hxwx): 560 mm - 568 mm x 585 mm - 595 mm x 550 mm
- "Please reference the built-in dimensions provided in the installation drawing"
- Design: Black Glass and Stainless steel finish

Serie | 8, Built-in oven, Stainless steel HBG655HS1A

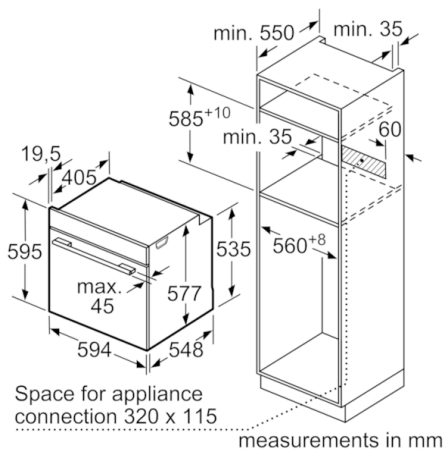
Installation with a hob.



measurements in mm



measurements in mm



If the appliance will be installed underneath a hob, the following worktop thicknesses (including substructure if necessary) must be taken into account.

Hob type	min. worktop thickness	
	fitted	flush
Induction hob	37 mm	38 mm
Full surface Induction hob	47 mm	48 mm
Gas hob	30 mm	38 mm
Electric hob	27 mm	30 mm

