

**Series 8, Built-in oven, 60 x 60 cm,
Black
HBG633BB1B**



HEZ327000 Pizza stone, HEZ530000 Half tray, HEZ531010 Baking tray, non-stick ceramic coated, HEZ532010 Universal pan, non-stick ceramic coated, HEZ617000 Pizza pan, enamelled, HEZ625071 Grill tray, anthracite, HEZ631070 Baking tray, enamelled, HEZ632070 Multipurpose pan, enamelled, HEZ633001 Lid for professional pan, enamelled, HEZ633070 Professional pan, enamelled, HEZ634000 Baking and roasting grid, HEZ635000 Barbecue-Set, HEZ636000 Glass pan, HEZ638100 1 level telescopic shelf rail, full ext, HEZ638200 2 level telescopic shelf rails, full ext, HEZ638300 3 level telescopic rails, full ext, HEZ660050 Cover Strip, HEZ664000 Baking and roasting grid, steam, HEZ915003 Glass roasting dish, 5,4 L

The built-in oven, which you get perfect baking and roasting results.

- **4D Hotair:** even heat distribution for perfect results – on any level.
- **TFT Touch Display:** easy-to-use thanks to the Control Ring with clear text and symbols.
- **EcoClean Direct:** A special coating of the rear wall that automatically absorbs cooking residue.
- **Cleaning Assistance:** less cleaning effort thanks to the new cleaning option, which should be used for light cleaning.
- **SoftMove door with SoftOpen and SoftClose:** the oven door opens and closes especially gently and quietly.

Color / Material Front: Black
 Built-in / Free-standing: Built-in
 Door opening: Drop down
 Integrated Cleaning system: EcoClean program, Hydrolytic
 Control Panel Material: Glass
 Door Material: Glass
 Dimensions: 595x594x548 mm
 Dimensions of the packed product (HxWxD): 670 x 670 x 680 mm
 Min. required niche size for installation (HxWxD): 585-595 x 560-568 x 550 mm
 Cavity dimensions: 357 x 480 x 415 mm
 Usable volume of cavity: 71 l
 Number of interior lights: 1
 Net weight: 35.1 kg
 Gross weight: 37.5 kg
 EAN code: 4242002880907
 Connection rating: 3600 W
 Fuse protection: 16 A
 Voltage: 220-240 V
 Frequency: 50; 60 Hz
 Length electrical supply cord: 120.0 cm



**Series 8, Built-in oven, 60 x 60 cm,
Black
HBG633BB1B**

568 mm x 550 mm

**The built-in oven, which you get perfect
baking and roasting results.**

Heating Functions

- Oven with 10 PCh heating methods:
- 4D Hot Air
- Defrost Full width grill HotAir Eco Half width grill Top/Bottom heating Top/bottom heating Eco Pizza setting Bottom heating Hot-air grilling
- Automatic rapid heat function
- Temperature range 30 °C - 300 °C

Rails

- Number of shelf levels: 5
- Telescopic rails: telescopic rails available as optional accessory

Design

- Bosch Control Ring
- Anthracite enamel cavity with 5 shelf positions
- Cavity volume: 71 l
- Stainless steel bar handle
- Switch for oven illumination, Halogen lighting
- Cooling fan

Cleaning

- Eco Clean: A microfine ceramic beaded coating on the oven's interior Rear wall
- Cleaning Assistance - cleaning option for light residue
- New design full glass inner door, easy to clean with simple access to the door glass

Convenience

- TFT Touch Symbol Display
- Electronic clock/timer with end time programming
- SoftMove oven door with soft close, Drop down oven door with SoftOpen and SoftClose, Bottom hinged door
- Automatic Temperature control for each function
- Temperature control indicator Actual temperature display Sabbath function

Safety Features

- Triple glass door panel glazed, Low door temperature when in use.
- Child lock
- Residual heat indicator Automatic switch off Start button Door contact safety switch

Accessories

- combination grid, grill tray, universal pan

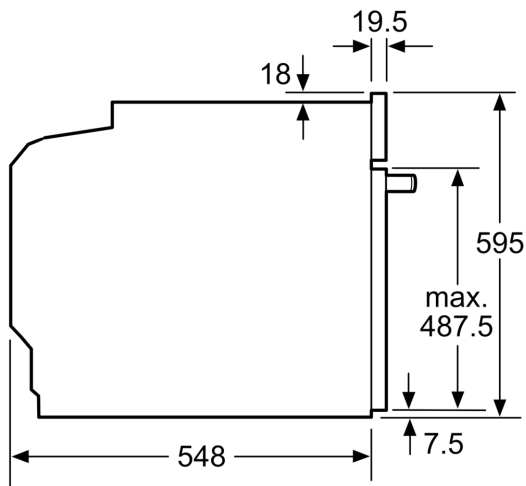
Technical Information

- Length of mains cable: 120 cm
- Nominal voltage: 220 - 240 V
- Total connected load electric: 3.6 KW

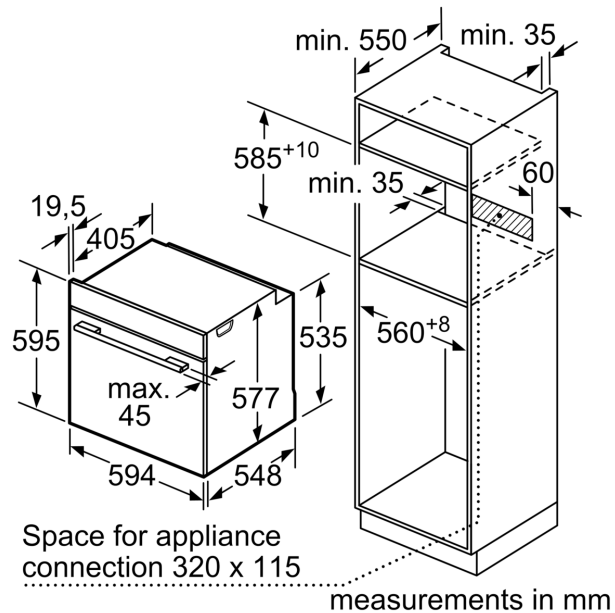
Dimensions:

- Appliance dimension (HxWxD): 595 mm x 594 mm x 548 mm
- Installation dimensions (HxWxD): 585 mm - 595 mm x 560 mm -

**Series 8, Built-in oven, 60 x 60 cm,
Black
HBG633BB1B**



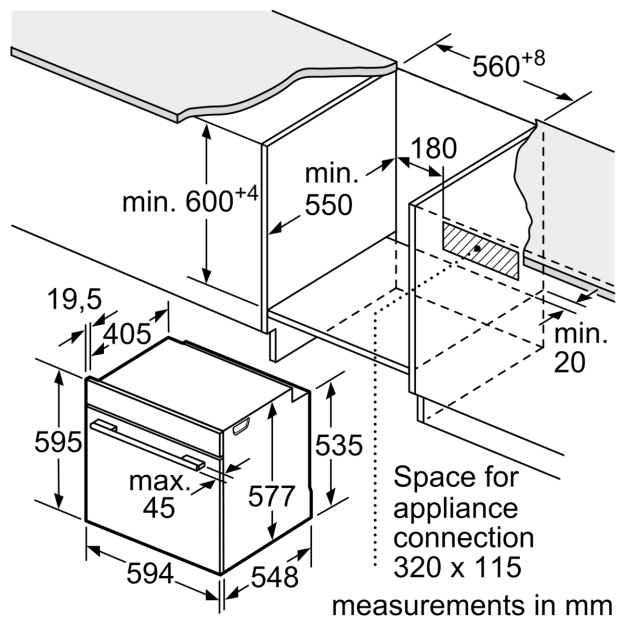
measurements in mm



measurements in mm

If the appliance will be installed underneath a hob, the following worktop thicknesses (including substructure if necessary) must be taken into account.

Hob type	min. worktop thickness	
	fitted	flush
Induction hob	37 mm	38 mm
Full surface Induction hob	47 mm	48 mm
Gas hob	30 mm	38 mm
Electric hob	27 mm	30 mm



measurements in mm