

**Serie | 4, Wall-mounted cooker hood,  
90 cm, Stainless steel  
DWW097A50A**

**A<sup>+</sup>**



**The wall-mounted chimney hood: mount it on the wall, giving you complete freedom in your kitchen planning.**

- **Extraction rate:** at 730 m<sup>3</sup>/h, it quickly ensures optimal kitchen air quality.
- **Especially quiet:** high performance at just 41 dB.
- **Intensive speed setting with reset:** automatically resets the hood to normal speed setting after 6 min..

**Technical Data**

Typology :	Chimney
Approval certificates :	Australia Standards, CE, VDE
Length electrical supply cord (cm) :	130
Height of the chimney (mm) :	582-864/582-974
Height of product, without chimney (mm) :	90
Minimum distance above an electric hob :	550
Minimum distance above a gas hob :	650
Net weight (kg) :	17.968
Type of control :	Electronic
Maximum output air extraction (m <sup>3</sup> /h) :	460
Boost position output recirculating (m <sup>3</sup> /h) :	430.0
Boost position air extraction (m <sup>3</sup> /h) :	730
Number of lights :	3
Noise level (dB) :	55
Diameter of air outlet (mm) :	150 / 120
Grease filter material :	Washable aluminium
EAN code :	4242002779324
Connection Rating (W) :	139
Current (A) :	10
Voltage (V) :	220-240
Frequency (Hz) :	60; 50
Plug type :	AU plug
Installation typology :	Wall-mounted



4 242002 779324

## **Serie | 4, Wall-mounted cooker hood, 90 cm, Stainless steel DWW097A50A**

**The wall-mounted chimney hood: mount it  
on the wall, giving you complete freedom in  
your kitchen planning.**

---

### **Design**

- Appliance colour: Stainless steel
- 90 cm, Canopy Rangehood
- 
- Wall mounted design
- Suitable for ducted or recirculating operation

### **Performance**

- 3 power settings plus intensive setting
- Automatic 10 minute run-on function
- Electronic saturation display for metal grease and active carbon filter
- Wall fixing system
- Intensive setting with automatic switch back to previous setting
- Saturation indicator for metal & carbon filters
- Halogen Lights
- Special chimney solutions possible
- 700EE
- Supplied with 3 dishwasher safe metal grease filters Metal grease filter
- Additional noise insulation

### **Operating and power**

- 139 W total connected load
- Diameter pipe Ø 150 mm (Ø 120 mm enclosed)
- Noise level according to EN 60704-3 und EN 60704-2-13 exhaust air:  
Max. normal use: 55 dB(A) re 1 pW sound pressure: 41 dB(A)  
Intensive: 65 dB(A) re 1 pW (51 dB(A) re 20 µPa sound pressure)

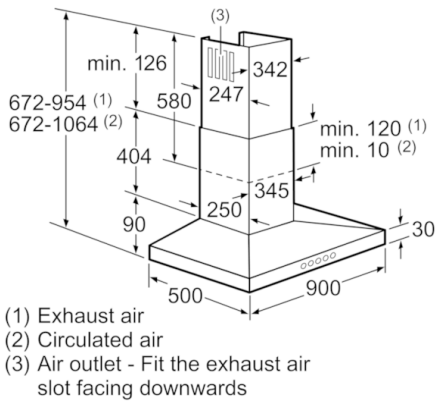
### **Dimensions (HxWxD)**

- Appliance (ducted air): 672-954 x 900 x 500 mm

### **Technical Information**

- Extraction rate according to EN 61591 Ø 15 cm:  
max. Normal use 460 m<sup>3</sup>/h  
Intensive 730 m<sup>3</sup>/h
- Extraction rate exhaust air according to EN 61591:  
max. normal use 460 m<sup>3</sup>/h, intensive 730 m<sup>3</sup>/h

**Serie | 4, Wall-mounted cooker hood, 90 cm,  
Stainless steel  
DWW097A50A**



Measurements in mm

