

**Series 6, Wall-mounted canopy rangehood, 90 cm, Stainless steel DWB98JR50A**



**The wall-mounted chimney hood: mount it on the wall, giving you complete freedom in your kitchen planning.**

- **Intensive speed setting with reset:** automatically resets the rangehood to normal speed setting after 6 min..
- **Extra silent:** the high-performance rangehood, with minimal noise.

- DWZ1CX116 Clean Air Plus recirculation kit
- DWZ2CB114 Clean Air Standard recirculation kit
- DWZ2CX5C6 Clean Air Plus recirc. kit external
- DHZ1223 Chimney extension 1000 mm
- DHZ1233 Chimney extension 1500 mm
- DHZ5345 Standard recirculation kit
- DHZ5346 Standard odor filter (replacement)
- DWZ0XX0J5 Long Life recirculation kit
- DWZ2FX5D1 Long Life recirculation kit external
- DZZ0XX0P0 Long Life odor filter (replacement)
- DZZ1XX1B6 Clean Air Plus odor filter (replacement)
- DZZ2CB1B4 Clean Air Standard odor filter (repl.)

Typology: .....Wall-mounted  
 Length electrical supply cord: ..... 130.0 cm  
 Height of the chimney: ..... 582-908/568-1018 mm  
 Height of product, without chimney: ..... 46 mm  
 Minimum distance above an electric hob: ..... 600 mm  
 Minimum distance above a gas hob: ..... 650 mm  
 Net weight: ..... 20.0 kg  
 Type of control: .....Electronic  
 Number of speed settings: ..... 3-stage + 2 intensive  
 Max. air extraction: ..... 430 m<sup>3</sup>/h  
 Boost position output recirculating: ..... 457 m<sup>3</sup>/h  
 Max. air recirculation: ..... 353 m<sup>3</sup>/h  
 Boost position air extraction: ..... 844 m<sup>3</sup>/h  
 Number of lights: ..... 3  
 Noise level: ..... 55 dB(A) re 1pW  
 Diameter of air outlet: ..... 120 / 150 mm  
 Grease filter material: ..... Washable stainless steel  
 EAN code: ..... 4242005107735  
 Connection rating: ..... 165 W  
 Fuse protection: ..... 10 A  
 Voltage: ..... 220-240 V  
 Frequency: ..... 50; 60 Hz  
 Plug type: ..... AU plug  
 Installation type: ..... Wall-mounted



## **Series 6, Wall-mounted canopy rangehood, 90 cm, Stainless steel DWB98JR50A**

**The wall-mounted chimney hood: mount it  
on the wall, giving you complete freedom  
in your kitchen planning.**

---

### **Design**

- For Wall mounted installation
- TouchControl with lightline

### **Performance**

- 3-stage + 2 intensive
- Extraction rate according to EN 61591:
- Min:273.2m<sup>3</sup>/h
- Intensive:844 m<sup>3</sup>/h
- Noise min./max. Normal Level: 46/55 dB\*
- Noise level in recirculation mode:
- Max. normal use:67 dB(A) re 1 pW

### **Comfort & Convenience**

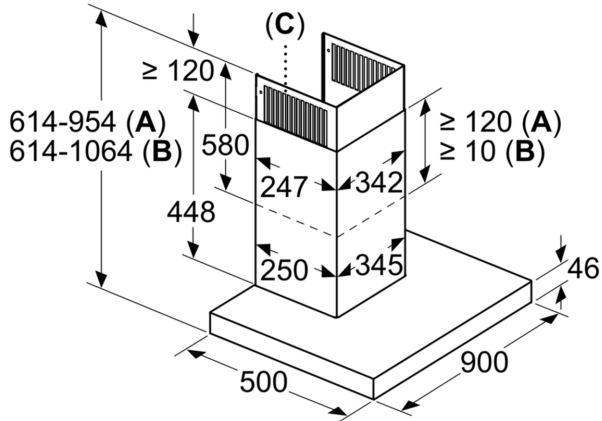
- EcoSilence Drive BLDC motor
- with one-way flap
- Dishwasher safe metal grease filters
- 6 min
- Additional noise insulation

### **Technical Information**

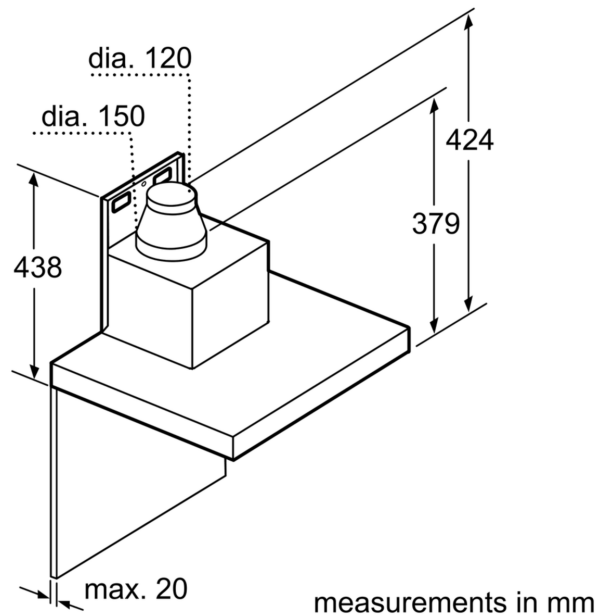
- Suitable for ducted or recirculating operation
- Recirc. kit or clean air kit
- Appliance (ducted air): 614-954 x 898 x 500 mm
- Dimensions exhaust air (HxWxD): 614-954 x 898 x 500 mm
- Dimensions recirculating (HxWxD): 614-1064 x 898 x 500 mm
- Dimensions recirculating with cleanAir module (HxWxD);
- 689 x 898 x 500mm - mounting with outer chimney
- 795-1139 x 898 x 500 mm - mounting with telescopic chimney
- Diameter pipe Ø 150 mm (Ø 120 mm enclosed)
- 165 W total connected load
- Electrical cable length 1.3 m

**Series 6, Wall-mounted canopy  
rangehood, 90 cm, Stainless steel  
DWB98JR50A**

measurements in mm

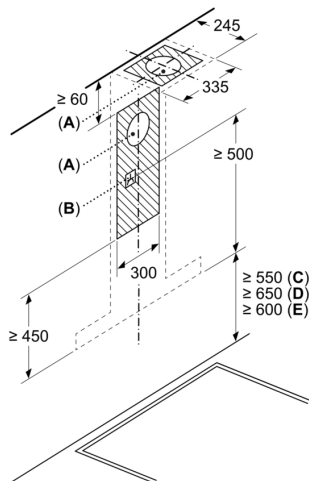


- A:** Air extraction
- B:** Air recirculation
- C:** Air outlet – slots for exhaust air to be mounted facing down



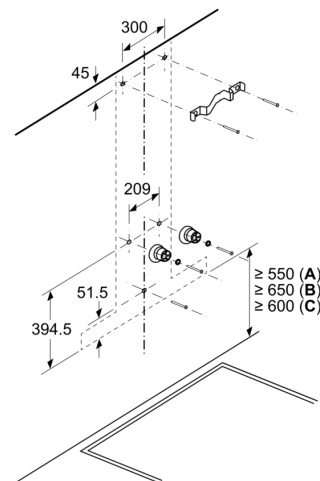
measurements in mm

Measurements in mm



- A:** Exhaust air outlet
- B:** Socket
- C:** Electric
- D:** Gas - from upper edge of pan support
- E:** Electric - for Australia and New Zealand

Measurements in mm



- A:** Electric
- B:** Gas - from upper edge of pan support
- C:** Electric - for Australia and New Zealand