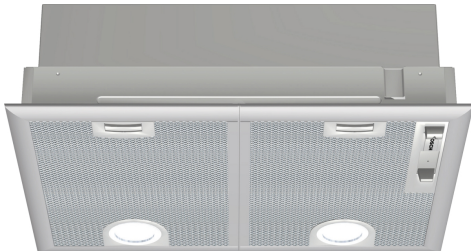


**Series 4, integrated rangehood, 53 cm, Silver metallic  
DHL555BAU**



DHZ7402 Installation kit for canopy  
 DHZ7305 Standard odor filter

**The canopy cooker hood: offers you flexibility in your kitchen planning - mount it either on the wall or above a kitchen island.**

- **Intensive speed setting with reset:** automatically resets the rangehood to normal speed setting after 6 min..
- **Metal Grease Filter:** cleans the air, captures grease, easy monthly clean-up.

Typology: ..... Built-in/Built-under  
 Length electrical supply cord: ..... 130.0 cm  
 Required niche size for installation (HxWxD): ... 255mm x 500.0mm x 350mm mm  
 Minimum distance above an electric hob: ..... 600 mm  
 Minimum distance above a gas hob: ..... 650 mm  
 Net weight: ..... 7.4 kg  
 Type of control: ..... mechanical  
 Number of speed settings: ..... 3-stages + intensive setting  
 Max. air extraction: ..... 420 m<sup>3</sup>/h  
 Boost position output recirculating: ..... 430.0 m<sup>3</sup>/h  
 Max. air recirculation: ..... 320 m<sup>3</sup>/h  
 Boost position air extraction: ..... 650 m<sup>3</sup>/h  
 Number of lights: ..... 2  
 Noise level: ..... 59 dB(A) re 1pW  
 Diameter of air outlet: ..... 120 / 150 mm  
 Grease filter material: ..... Washable aluminium  
 EAN code: ..... 4242002527093  
 Connection rating: ..... 206 W  
 Voltage: ..... 220-240 V  
 Frequency: ..... 50 Hz  
 Plug type: ..... AU plug  
 Installation type: ..... Built-in



**Series 4, integrated rangehood, 53  
cm, Silver metallic  
DHL555BAU**

**The canopy cooker hood: offers you  
flexibility in your kitchen planning - mount  
it either on the wall or above a kitchen  
island.**

---

**Design**

- 53 cm, Integrated Rangehood
- Appliance colour: silver metallic
- Suitable for ducted or recirculating operation
- Powerful twin motor

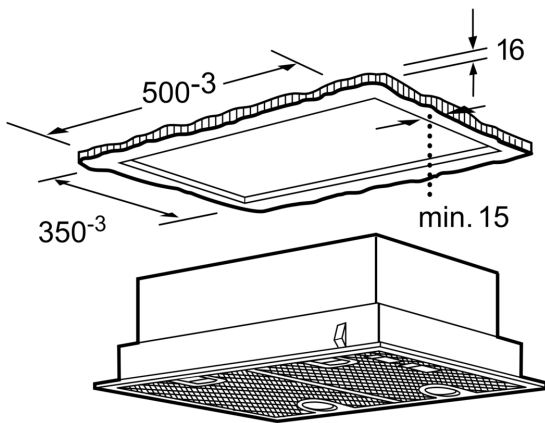
**Convenience**

- 3 power settings plus intensive setting
- 2 x LED lighting
- Push Button controls for power and light
- 2 dishwasher-safe metal grease filters

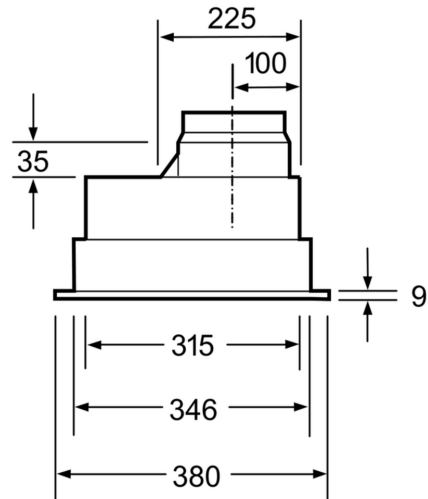
**Operating and power**

- 120 or 150mm tube connected diameter
- Perforated stainless steel filter covers
- Extraction rate according to EN 61591:
  - Min:210m<sup>3</sup>/h
  - Intensive:650 m<sup>3</sup>/h
- 206 W total connected load
- Noise level according to EN 60704-3 und EN 60704-2-13 exhaust air:
  - Max. normal use:59 dB(A) re 1 pW sound pressure:45dB(A)
  - Intensive:69 dB(A) re 1 pW (55 dB(A) re 20 µPa sound pressure)

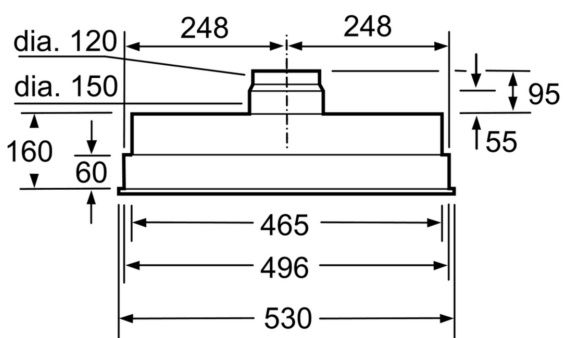
**Series 4, integrated rangehood, 53 cm, Silver metallic  
DHL555BAU**



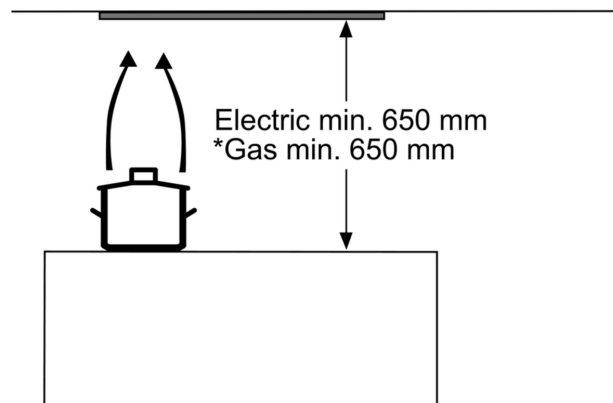
measurements in mm



measurements in mm



measurements in mm



\* from upper edge of pan support

measurements in mm