

**Series 8, Built-in compact oven with microwave function, 60 x 45 cm, White  
CMG633BW1**



HEZ327000 Pizza stone, HEZ530000 Half tray, HEZ531010 Baking tray, non-stick ceramic coated, HEZ532010 Universal pan, non-stick ceramic coated, HEZ617000 Pizza pan, enamelled, HEZ625071 Grill tray, anthracite, HEZ631070 Baking tray, enamelled, HEZ632070 Multipurpose pan, enamelled, HEZ634080 Baking and roasting grid (microwave), HEZ636000 Glass pan, HEZ660050 Cover Strip, HEZ660060 Strip, HEZ664000 Baking and roasting grid (steam), HEZ915003 Glass roasting dish, 5,4 L, HEZG0AS00 Connecting cable 3m

**The compact oven with microwave function: enables you to achieve perfect baking and roasting results very quickly.**

- **LED lighting:** perfect illumination of foods with minimum energy consumption.
- **Microwave function:** for quick warming up or for fast cooking in combination with hot air.
- **SoftMove door with SoftOpen and SoftClose:** the oven door opens and closes especially gently and quietly.

Additional function: ..... Microwave combination  
 Color / Material Front: ..... White  
 Built-in / Free-standing: ..... Built-in  
 Door opening: ..... Handle  
 Colour.Material door: ..... White  
 Integrated Cleaning system: ..... No  
 Control Panel Material: ..... Glass  
 Dimensions: ..... 455 x 594 x 548 mm  
 Dimensions of the packed product (HxWxD): ..... 540 x 650 x 680 mm  
 Min. required niche size for installation (HxWxD): 450-455 x 560-568 x 550 mm  
 Cavity dimensions: ..... 237.0 x 480 x 392.0 mm  
 Cavity capacity: ..... 45 l  
 Max. microwave power level: ..... 900 W  
 Number of interior lights: ..... 1  
 Net weight: ..... 35.5 kg  
 Gross weight: ..... 37.8 kg  
 EAN code: ..... 4242002807416  
 Connection rating: ..... 3600 W  
 Fuse protection: ..... 16 A  
 Voltage: ..... 220-240 V  
 Frequency: ..... 60; 50 Hz  
 Length electrical supply cord: ..... 150.0 cm





## **Series 8, Built-in compact oven with microwave function, 60 x 45 cm, White CMG633BW1**

**The compact oven with microwave function: enables you to achieve perfect baking and roasting results very quickly.**

---

### **Heating Functions**

- Compact oven with microwave with 6 PCh heating methods:
- 4D Hot Air
- Full width grill HotAir Eco Half width grill Hot-air grilling Pre-Heating
- Additional heating methods with microwave:
- Microwave, 5 power levels
- combi microwave constant
- Max. Power: 900 W; 5 Microwave power settings (90 W, 180 W, 360 W, 600 W, 900 W) with Inverter (MW)
- Cavity volume: 45 l

### **Design**

#### **Convenience**

- TFT Touch Symbol Display
- SoftMove oven door with soft close, Drop down oven door with SoftOpen and SoftClose, Bottom hinged door
- Built in cooking functions: Automatic programs: Select a program, enter the weight of your food, and the automatic program will apply the most optimal settings, no manual settings required
- Electronic clock/timer with end time programming
- Automatic rapid heat function
- Switch for oven illumination, LED lighting
- Cooling fan

#### **Accessories**

- universal pan, combination grid

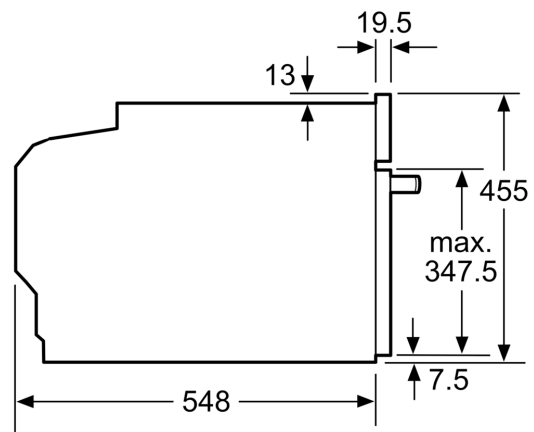
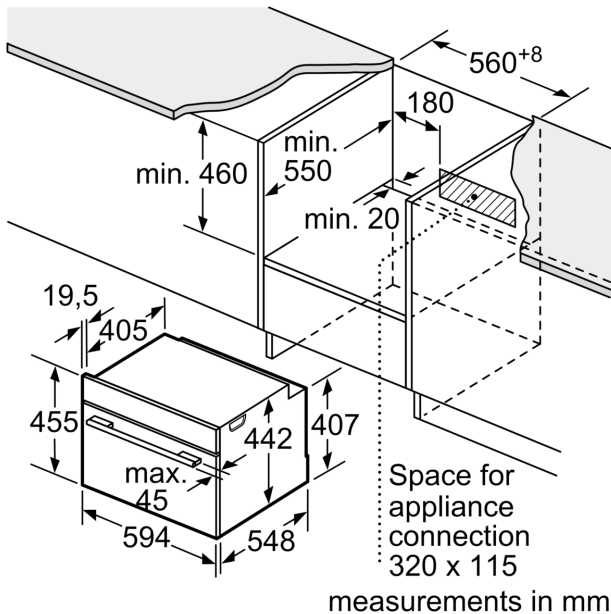
#### **Safety Features**

- Child lock
- Residual heat indicator Automatic switch off Start button Door contact safety switch Automatic door lock during pyrolysis

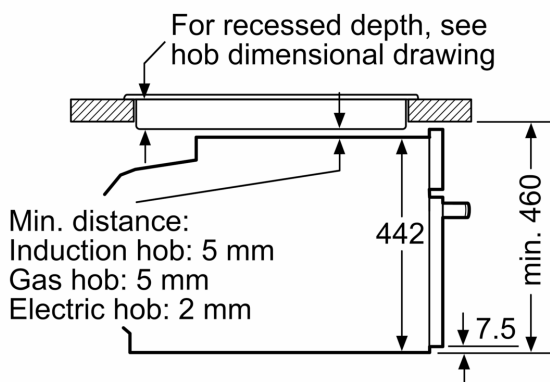
#### **Technical Information**

- Length of mains cable: 150 cm
- Total connected load electric: 3.6 KW
- Appliance dimension (HxWxD): 455 mm x 594 mm x 548 mm
- Installation dimensions (HxWxD): 450 mm - 455 mm x 560 mm - 568 mm x 550 mm
- Please reference the built-in dimensions provided in the installation drawing

**Series 8, Built-in compact oven with  
microwave function, 60 x 45 cm,  
White  
CMG633BW1**



Installation with a hob.



If the compact appliance will be installed underneath a hob, the following worktop thicknesses (including substructure if necessary) must be taken into account.

Hob type	min. worktop thickness	
	fitted	flush
Induction hob	42 mm	43 mm
Full surface Induction hob	52 mm	53 mm
Gas hob	32 mm	43 mm
Electric hob	32 mm	35 mm

