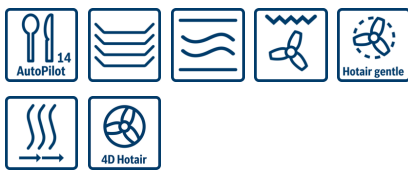


Serie | 8, Built-in compact oven with microwave function, Stainless steel CMG633BS1B



The compact oven with microwave function: enables you to achieve perfect baking and roasting results very quickly.

- **Microwave function:** for quick warming up or for fast cooking in combination with hot air.
- **AutoPilot 14:** every dish is a perfect success thanks to 14 pre-set automatic programmes.
- **TFT display control:** easy-to-use thanks to the control ring with full text and symbols.
- **LED lighting:** perfect illumination of foods with minimum energy consumption.
- **Hinge door with SoftOpen and SoftClose:** the oven door opens and closes especially gently and quietly.

Technical Data

Type of micro-wave oven :	MW-Combi
Type of control :	Electronic
Color / Material Front :	Stainless steel
Dimensions of the product (mm) :	455 x 594 x 548
Cavity dimensions (mm) :	237.0 x 480 x 392.0
Length electrical supply cord (cm) :	150
Net weight (kg) :	34.627
Gross weight (kg) :	37.0
EAN code :	4242002807409
Maximum micro-wave power (W) :	900
Connection Rating (W) :	3600
Current (A) :	16
Voltage (V) :	220-240
Frequency (Hz) :	60; 50
Plug type :	no plug

Included accessories

1 x combination grid
1 x universal pan

Optional accessories

HEZ327000 : Pizza stone



4 242002 807409

Serie | 8, Built-in compact oven with microwave function, Stainless steel CMG633BS1B

**The compact oven with microwave function:
enables you to achieve perfect baking and
roasting results very quickly.**

Heating Functions

- Compact oven with microwave with 6 heating methods:
 - 4D hot air
 - 4D HotAir Eco
 - Grill large area
 - Small area grill
 - Plate warming
- Additional heating methods with microwave: Microwave, Combi microwave constant
- Temperature range 30 °C - 275 °C
- Max. Power: 900 W; 5 Microwave power settings (90 W,180 W,360 W,600 W,900 W) with Inverter (MW)
- Cavity volume: 45 l

Design

- Stainless steel control ring
- Stainless steel straight bar handle
- Bottom hinge, SoftMove oven door with soft open and soft close, SoftOpen
- Microwave top door
- Anthracite enamel cavity with 3 shelf positions

Convenience

- TFT display screen
- Temperature proposal
 - Actual temperature display
 - Temperature indicator line
 - Automatic Programming
- Supporting systems: Automatic Programs
- Number of automatic programmes: 14 PC
- Rapid heating-up
- Electronic clock
- LED light
- Cooling fan
- Stainless-steel fan
- Info button

Hook-in racks / rails

- Cavity with shelf support rails, Telescopic slide-out Not available

Accessories

- 1 x combination grid, 1 x universal pan

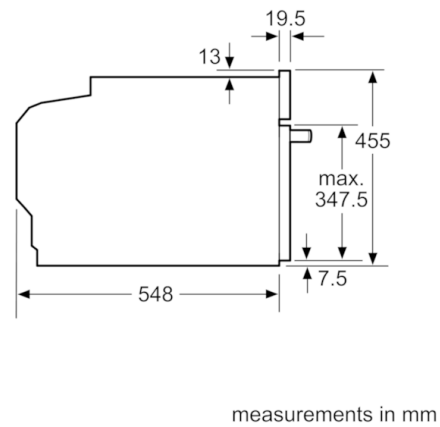
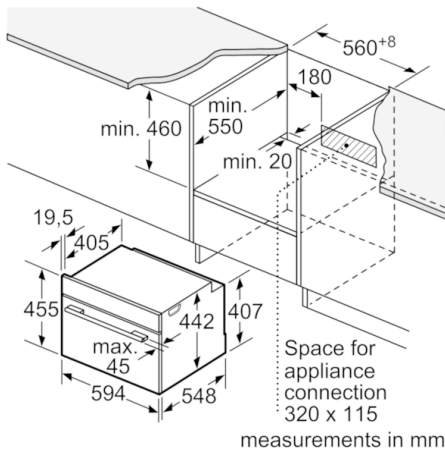
Safety and Environment

- Child lock
- Residual heat indicator
- Automatic switch off
- Maximum window temperature 40° C

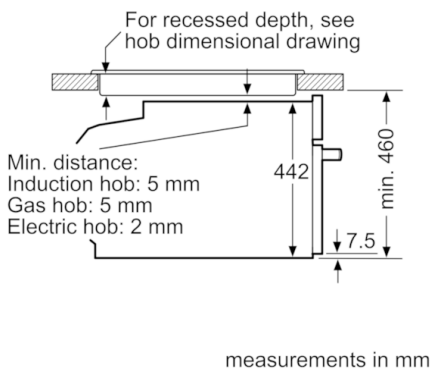
Technical Information

- Total connected load electric: 3.6 KW
- Appliance dimension (hxwx d): 455 mm x 594 mm x 548 mm
- Installation dimensions (HxWxD): 450 mm - 455 mm x 560 mm - 568 mm x 550 mm
- Length of mains cable: 150 cm
- Please reference the built-in dimensions provided in the installation drawing

Serie | 8, Built-in compact oven with microwave function, Stainless steel CMG633BS1B



Installation with a hob.



If the compact appliance will be installed underneath a hob, the following worktop thicknesses (including substructure if necessary) must be taken into account.

Hob type	min. worktop thickness	
	fitted	flush
Induction hob	42 mm	43 mm
Full surface Induction hob	52 mm	53 mm
Gas hob	32 mm	43 mm
Electric hob	32 mm	35 mm

