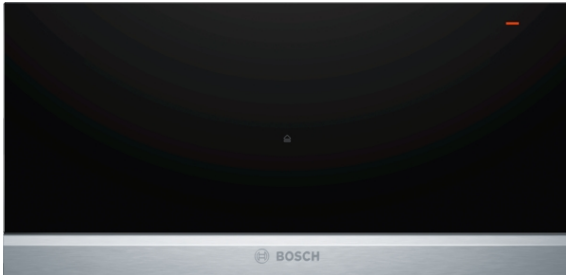


**Serie | 8, Warming drawer, 60 x 29 cm,
Stainless steel
BID630NS1A**



**The multifunctional warming drawer for the
29 cm niche: for pre-heating plates, keeping
food warm and low temperature cooking.**

- **Push-pull mechanism:** easy opening and closing thanks to a practical spring mechanism.
- **Cleaning convenience:** easy-to-clean hotplate made of tempered glass.

Technical Data

Built-in / Free-standing : Built-in

Color / Material Front : Stainless steel

Maximum number of plates : 40

Maximum number of espresso cups : 192

Dimensions of the packed product (HxWxD) : 210 x 660 x 660 mm

Required niche size for installation (HxWxD) : 290 x 560 x 550 mm

EAN code : 4242002813929

Electrical connection rating : 810 W

Fuse protection : 10 A

Voltage : 220-240 V

Frequency : 60; 50 Hz

Plug type : AU plug



**Serie | 8, Warming drawer, 60 x 29 cm,
Stainless steel
BID630NS1A**

**The multifunctional warming drawer for the
29 cm niche: for pre-heating plates, keeping
food warm and low temperature cooking.**

Heating Functions

- Temperature control with 4 levels: 40 °C - 80 °C (glass surface temperature)
- Suitable for:
 - Pre-warming of crockery
 - Keeping drinks and food warm
 - Dough proving
 - Defrosting
 - Slow cooking

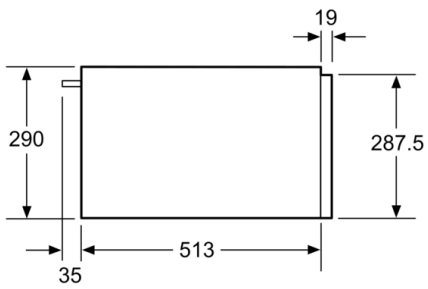
Convenience

- Cavity volume: 52 l
- Max weight up to 25 kg
- Telescopic pull-out drawer
- Heating plate made of toughened glass
- 290 mm height
- Push & Pull opening mechanism

Technical Information

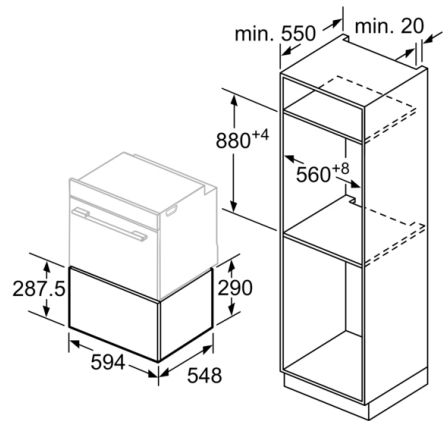
- Connected load: 0.81 KW
- Appliance dimension (HxWxD): 290 mm x 594 mm x 548 mm
- Length of mains cable: 150 cm
- Installation dimensions (HxWxD): 290 mm x 560 mm - 568 mm x 550 mm

**Serie | 8, Warming drawer, 60 x 29 cm,
Stainless steel
BID630NS1A**



Ovens with an appliance height of 595 mm can be installed above a warming drawer. An intermediate floor is not required.

measurements in mm



measurements in mm