

**Series 8, Front Load Washing Machine, 9 kg, 1400 rpm WAV28L40SG**



WMZ2200 Floor securing component  
 WMZ2381 Extension for cold water inlet /Aquastop

**ActiveOxygen Refresh Programme Removes odours in just 45 minutes without washing**

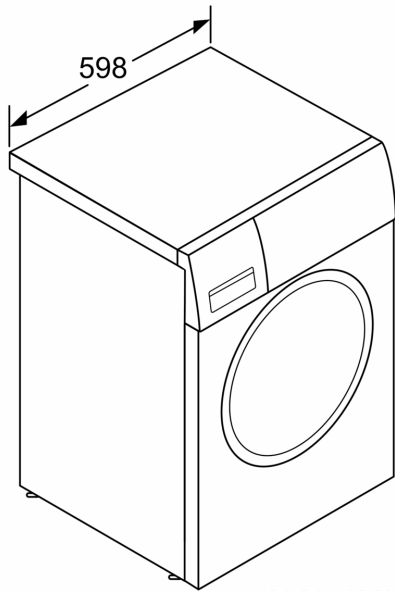
- **EcoSilence Drive™** motor that's powerful and durable yet quieter than a normal conversation
- **Speed Perfect:** perfectly clean in up to 65% less time
- **AllergyPlus programme:** specially developed for the needs of allergy sufferers.
- **Vario Drum:** gently and efficiently wash with even water distribution and without creasing garments.
- **4D Wash System:** highly efficient water and detergent fabric penetration for spotless results.

Built-in / Free-standing: ..... Free-standing  
 Door hinge: ..... Left  
 Color / Material body: ..... White  
 Length electrical supply cord: ..... 210.0 cm  
 Height for building under: ..... 850.00 mm  
 Height of the appliance: ..... 848 mm  
 Dimensions of the product: ..... 848 x 598 x 590 mm  
 Wheels: ..... No  
 Net weight: ..... 74.2 kg  
 Drum volume: ..... 65 l  
 Door Frame: ..... Chrome, blackgray  
 Noise level washing: ..... 48 dB(A) re 1 pW  
 Connection rating: ..... 2300 W  
 Fuse protection: ..... 10 A  
 Voltage: ..... 220-240 V  
 Frequency: ..... 50 Hz  
 Energy Star Qualified: ..... No  
 Cord Included: ..... Yes  
 Plug type: ..... GB plug  
 Length of supply hose (in): ..... 59.05 "  
 Dimensions of the packed product: ..... 34.44 x 25.19 x 26.57  
 Net weight: ..... 164.000 lbs  
 Gross weight: ..... 166.000 lbs  
 Length of drain hose: ..... 150.00 cm  
 Length of supply hose: ..... 150.00 cm  
 Dimensions of the packed product (HxWxD): ..... 875 x 675 x 640 mm  
 Gross weight: ..... 75.2 kg  
 Connection rating: ..... 2300 W  
 Fuse protection: ..... 10 A  
 Voltage: ..... 220-240 V  
 Frequency: ..... 50 Hz  
 Water protection system: ..... Aquastop  
 Max. spin speed: ..... 1400 rpm  
 Spin speed options: ..... Variable  
 Digital countdown indicator: ..... Yes  
 Progress indicator: ..... LED-display  
 Capacity: ..... 9.0 kg

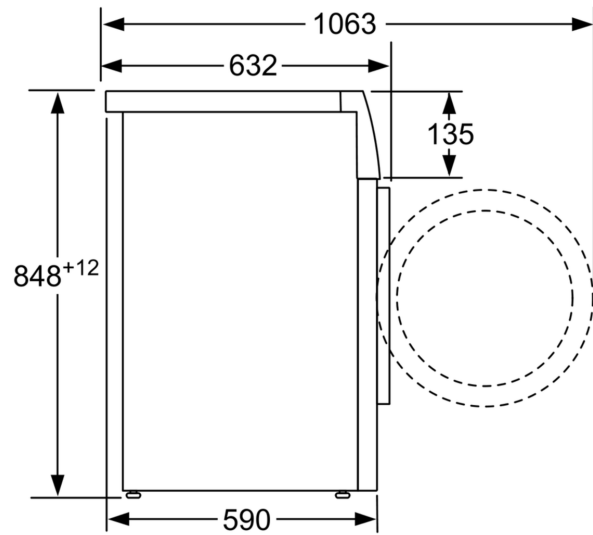


**Series 8, Front Load Washing  
Machine, 9 kg, 1400 rpm  
WAV28L40SG**

---



measurements in mm



measurements in mm