

**Series 6, Fully-integrated Built-in  
Dishwasher, 60 cm  
SMV6ZCX42E**



**PerfectDry dishwashers for best drying  
results with an intensive cleaning zone for  
spotless clean dishes.**

- **PerfectDry:** 2x better drying results on plastics with PerfectDry dishwashers\*.
- **EcoSilence Drive:** especially energy-saving and silent in operation.
- **Home Connect:** home appliances with smart connectivity for an easier everyday life
- **Extra Clean Zone:** extra cleaning for items in your top basket.
- **Max Flex baskets:** flexible and stable loading for your dishes, with superior sliding performance.

**Technical Data**

Energy label: C

Energy consumption of the eco programme per 100 cycles: 75 kWh/100 cycles

Maximum number of place settings: 14

Water consumption: 9.5 l

Programme duration: 3:55 h

Noise level: 44 dB(A) re 1pW

Noise level class: B

Cleaning performance: A

Water consumption: 9.5 l

Total annual energy consumption 220 days: 183 kWh

Total annual water consumption 220 days: 2090 l

Built-in / Free-standing: Built-in

Removable top: No

Door panel options: Not possible

Height of removable worktop: 0 mm

Height of the appliance: 815 mm

Adjustable feet: Yes - all from front

Maximum adjustability feet: 60 mm

Adjustable plinth: Both horizontal and vertical

Net weight: 46.3 kg

Gross weight: 48.5 kg

Connection Rating: 2400 W

Fuse protection: 10 A

Voltage: 220-240 V

Frequency: 50; 60 Hz

Length electrical supply cord: 175 cm

Plug type: Garty plug w/ earthing

Length inlet hose: 165 cm

Length outlet hose: 190 cm

Hidden heating element: Yes

Water protection system description: Triple water protection 24h

Child safety devices: No

Water softener: Yes

Top basket type: High loading flexibility

Adjustable upper basket: Rackmatic 3-stage

Bottom basket type: R3

3rd Rack: 3rd Rack 1.0

Optional accessories: SGZ0BI01, SGZ0IC00, SGZ1010, SGZ8BI00, SMZ1051EU, SMZ2056, SMZ5003, SMZ5035, SMZ5100, SMZ5300

Included accessories : Vapor barrier plate

Number of place settings: 14

Dimensions of the packed product (HxWxD): 880x660x670 mm



4 242005 189991

## **Series 6, Fully-integrated Built-in Dishwasher, 60 cm SMV6ZCX42E**

**PerfectDry dishwashers for best drying  
results with an intensive cleaning zone for  
spotless clean dishes.**

---

### **Features**

- BLDC motor
- Zeolite-Drying
- Wi-Fi
- Heat exchanger.
- DosageAssist
- AquaSensor
- AquaStop with guarantee

### **Specifications**

- Capacity: 14 place settings
- Noise level: 44 dB(A) re 1 pW
- Energy<sup>2</sup> / Water<sup>3</sup>: 75 kWh / 9.5 litres
- Self-cleaning filter system with 3-fold corrugated filter
- Stainless steel tub
- Detergent Automation
- Remaining programme time indicator (min)
- Glass care system
- rem. time proj. white
- Dimensions of the product (HxWxD): 81.5 x 59.8 x 55 cm
- \*Door panel not included

### **Programmes**

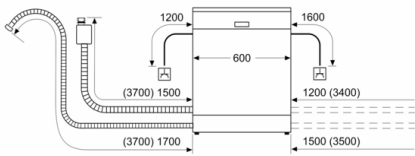
- 8 Programme: Intensive 70°C, Auto 45-65°C, Eco 50°C, Silence 50°C, Short 60°C, Glass 40°C, Quick 45°C, Pre-rinse
- 4 special options: Remote Start, Extra Dry, Intensive Zone, SpeedPerfect+
- Pre-Rinse
- Machine Care
- Silence on Demand (via app)
- Electronic delay timer: 1-24 hours

### **Baskets and Racks**

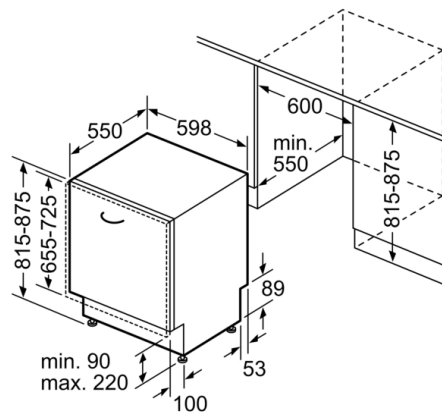
- VarioDrawer
- Rackmatic height-adjustable top basket (3 stage)
- 2 foldable plate racks in top basket
- 6 foldable plate racks in bottom basket
- Rack Stopper to prevent derailing of lower basket
- Ball bearing on upper rack
- Low friction wheels on lower rack and 3rd loading level

## Series 6, Fully-integrated Built-in Dishwasher, 60 cm SMV6ZCX42E

measurements in mm



⏏ socket  
( ) values with extension kit



measurements in mm