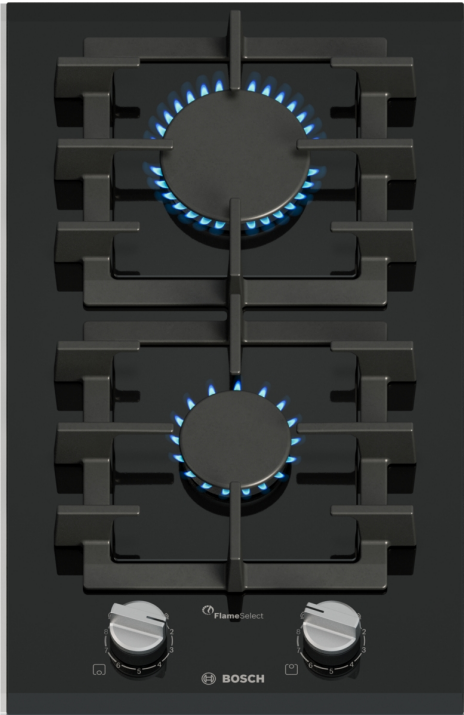


**Series 8, Domino Gas Hob, 30 cm,
Ceramic, Black
PRB3A6I40L**



HEZ394301 Connecting strip

The gas hob with precise flame control and easy cleaning thanks to detachable metallic knobs and dishwasher suitable cast-iron pan supports.

- **Easy cleaning:** detachable knobs and dishwasher-suitable pan supports make cleaning a breeze.
- **Dishwasher-suitable pan supports:** make cleaning your hob even easier.
- **Semi-continuous pan supports:** smaller for easy cleaning, yet providing a seamless cooking surface.
- **Safety gas cut-off:** ensures safety by instantly cutting off gas supply if the flame goes out.
- **Removable knobs:** effortless cleaning, happier cooking.

Product name/family: Vario/Domino gas hob w control
 Built-in / Free-standing: Built-in
 Energy input: Gas
 Total number of positions that can be used at the same time: 2
 Required niche size for installation (HxWxD): 45 x 270 x 490-500 mm
 Width of the appliance: 306 mm
 Dimensions (HxWxD): 49x306x52745x306x527 mm
 Dimensions of the packed product (HxWxD): 165x360x580 mm
 Net weight: 7.2 kg
 Gross weight: 8.0 kg
 Residual heat indicator: without
 Location of control panel: Front
 Basic surface material: Ceramic
 Color of surface: Black, Alu, brushed
 Color of frame: Black
 Length electrical supply cord: 100 cm
 Connection rating: 1 W
 Gas connection rating: 4750 W
 Fuse protection: 3 A
 Voltage: 220-240 V
 Frequency: 50; 60 Hz



Series 8, Domino Gas Hob, 30 cm, Ceramic, Black PRB3A6I40L

The gas hob with precise flame control and easy cleaning thanks to detachable metallic knobs and dishwasher suitable cast-iron pan supports.

Design

- glass ceramic surface, black
- Facette front, rear, side profiles, aluminium, brushed
- Cast iron separable with rubber feet
- Full metal knob

Features

- step valve 9 steps: precisely adjust the flame in nine defined and repeatable levels.
- sword knobs, front: easily access knobs in front with strong grip for effortless turning.
- Ignition via control knob: just push and turn the knob to ignite the flame.

Cooking Zone

- 2 PC
- Center front: Standard burner up to 1.75 KW (depending on gas type)
- Center rear: Rapid burner up to 3 KW (depending on gas type)

Cleaning

- detachables for easy cleaning between knobs.
- yes for easy cleaning.
- Cast iron separable with rubber feet: little weight and compact form, yet high stability due to continuous surface.

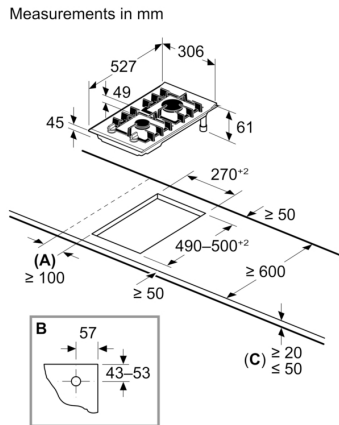
Safety

- Flame failure safety device: prevents unwanted gas flow when flame goes out.

Technical Information

- Usable for: Nat gas L/LL G25/20mbar(DE)
- NG H/E 20mbar, E+ 20/25mbar
- Natural gas H 25 mbar (HU)
- Natural gas L 25 mbar (NL)
- Liquid gas G30,31 28-30/37mbar
- Liquid gas G30 37 mbar (PL)
- Liquid gas 50 mbar
- Preset of liquid gas (28-30/37mbar)
- Nozzle set for Natural gas nozzles (20 mbar) included. Nozzles for all other gas types can be ordered via the customer service. For nozzle change, please contact the customer service.
- Dimensions of the product (HxWxD mm): 49 x 306 x 527
- Required niche size for installation (HxWxD mm) : 45 x 270 x (490 - 500)
- Min. worktop thickness: 20 mm
- Power cord: 1 m
- Connected load: 4.75 KW

**Series 8, Domino Gas Hob, 30 cm,
Ceramic, Black
PRB3A6I40L**



A: Min. distance from the hob cut-out to the wall

B: Position of gas connection in the cut-out

C: With fitted oven underneath possibly more; see space requirements for the oven

For worktop thickness between 12 mm to 20 mm need additional spacer, contact customer service for details