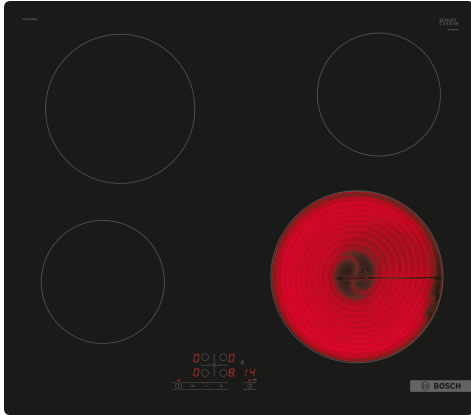


**Series 4, Electric Hob, 60 cm, Black,
PKE611BB8E**



- HEZ32WA00 Wireless food thermometer
- HEZ392617 Intermediate bottom
- HEZ9FE280 Iron pan Ø 18 / 28 cm
- HEZ9SE030 Set of 2 pots and 1 pan

**The glass-ceramic radiant hob: makes
cooking and cleaning especially easy.**

- **TouchSelect:** Selection of the desired cooking zone and easy setting of the desired power level
- **Restart:** restores hob settings in case of an unintentional hob switch-off.
- **Timer with switch-off function:** turns off the assigned cooking zone after the set time.
- **Child Lock:** locks the control panel to prevent unauthorized use.

Product name/family: Cooking zone ceramic
 Built-in / Free-standing: Built-in
 Energy input: Electric
 Total number of positions that can be used at the same time: 4
 Min. required niche size for installation (HxWxD): 45 x 560-560 x 490-500 mm
 Width of the appliance: 592 mm
 Dimensions (HxWxD): 45x592x522 mm
 Dimensions of the packed product (HxWxD): 100 x 750 x 590 mm
 Net weight: 7.6 kg
 Gross weight: 8.3 kg
 Residual heat indicator: Separate
 Location of control panel: Front
 Basic surface material: Ceramic
 Color of surface: Black
 Length electrical supply cord: 100.0 cm
 Sealed Burners: No
 Power of heating element (kW): 1.2 kW
 Power of 3rd heating element (kW): 2 kW
 Power of 5th heating element (kW): 1.2 kW
 Connection rating: 6600 W
 Voltage: 220-240 V
 Frequency: 50; 60 Hz
 Energy input: Electric
 Plug type: no plug
 Appliance Dimensions (h x w x d) (in): x x
 Dimensions of the packed product: 3.93 x 23.22 x 29.52
 Net weight: 17.000 lbs
 Gross weight: 18.000 lbs
 Total number of positions that can be used at the same time: 4
 Length electrical supply cord: 100.0 cm
 Min. required niche size for installation (HxWxD): 45 x 560-560 x 490-500 mm
 Dimensions (HxWxD): 45x592x522 mm
 Dimensions of the packed product (HxWxD): 100 x 750 x 590 mm
 Net weight: 7.6 kg
 Gross weight: 8.3 kg



Series 4, Electric Hob, 60 cm, Black, PKE611BB8E

The glass-ceramic radiant hob: makes cooking and cleaning especially easy.

Design

- 60 cm: space for 4 pots or pans.
- frameless

Features

- TouchControl +/- (EntryTouch): control the power with imprinted +/- touch buttons.
- 17 power levels: precisely adapt the heat with 17 power levels (9 main levels and 8 intermediate levels).
- on device: switches off the cooking zone at the end of the time set (e.g. for boiled eggs).
- on device: an alarm sounds at the end of the time set (e.g. for pasta).

Flexibility of cooking zones

- Cooking zone front left: 145 mm, 1.2 KW
- Cooking zone rear left: 180 mm, 2 KW
- Cooking zone rear right: 145 mm, 1.2 KW
- Cooking zone front right: 210 mm, 2.2 KW

Time saving & efficiency

- ReStart Function: in case of unintentional switch-off, restore all previous settings by switching on the hob again within 4 seconds.

Safety

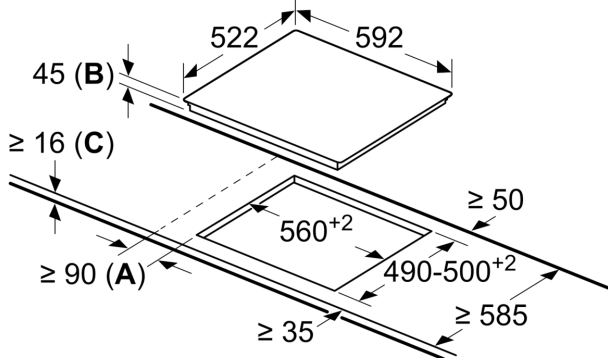
- Digital 2 stage residual heat indicator: indicates which cooking zones are still hot or warm.
- Childproof lock: prevent unintended activation of the hob.
- Main switch: switch off all cooking zones at the touch of a button.
- Power on indicator light: indicates if the hob is heating.
- Safety switch-off: for safety reasons, heating stops after a preset time without interaction.

Installation

- Dimensions of the product (HxWxD mm): 45 x 592 x 522
- Required niche size for installation (HxWxD mm) : 45 x 560 x (490 - 500)
- Min. worktop thickness: 16 mm
- Connected load: 6.6 KW
- Power cord: 1 m, loose insert in packaging

**Series 4, Electric Hob, 60 cm, Black,
PKE611BB8E**

measurements in mm



- A:** Minimum distance from the hob cut-out to the wall.
- B:** Recessed depth
- C:** With fitted oven underneath min. 20, possibly more; see space requirements for the oven.