

Series 4, Built-in Oven with Added Steam Function, 60 x 60 cm, Black HUA736EA0K



Included accessories

- 1 x combination grid
- 1 x universal pan
- 1 x air fry & grill tray
- 1 x deep tray

The built-in oven with added steam: achieve delicious baking results thanks to hotair steam heating mode.

- **3D Hotair:** even heat distribution for perfect results on up to three levels.
- **AutoPilot 10:** every dish is a perfect success thanks to 10 pre-set automatic programmes.
- **Cleaning Assistance:** less cleaning effort
- **Hotair Gentle:** saves energy while baking and roasting.
- **HotAir Safety Fan:** perfect cooking, perfect protection

Technical Data

Gross weight : 37.2 kg
 Built-in / Free-standing : Built-in
 Cleaning : Ecolytic, Hydrolytic
 Required niche size for installation (HxWxD) : 585-595 x 560-568 x 550 mm
 Dimensions (HxWxD) : 595x594x548 mm
 Dimensions of the packed product (HxWxD) : 660x650x670 mm
 Control Panel Material : Glass
 Door Material : Glass
 Net weight : 34.6 kg
 Usable volume of cavity : 76 l
 Cooking method : Air fry, Bottom heat, Conventional heat, Full width grill, Hot Air, Hotair gentle, Hot air grilling
 Length electrical supply cord : 120 cm
 Pull out system : 1-level
 Included accessories : 1 x combination grid, 1 x universal pan, 1 x air fry & grill tray, 1 x deep tray
 Broil Element Wattages cavity 1 : 2700 W
 Convection Element Wattages cavity 1 : 2200 W
 Energy label : A
 Energy consumption per cycle conventional (2010/30/EC) : 0.98 kWh/cycle
 Energy consumption per cycle forced air convection (2010/30/EC) : 0.83 kWh/cycle
 Energy efficiency index (2010/30/EC) : 95.4 %
 Connection Rating : 2800 W
 Fuse protection : 13 A
 Voltage : 220-240 V
 Frequency : 50; 60 Hz
 Plug type : no plug
 Energy input : Electric
 Required cutout/niche size for installation (in) : x
 Dimensions of the packed product : 25.98 x 25.59 x 26.37
 Net weight : 76.000 lbs
 Gross weight : 82.000 lbs



Series 4, Built-in Oven with Added Steam Function, 60 x 60 cm, Black HUA736EA0K

The built-in oven with added steam: achieve delicious baking results thanks to hot air steam heating mode.

Heating Functions

- Oven with 8 heating methods:
 - 3D hot air plus, - Top/bottom heat, - Hot air grilling, - Full width grill, - Bottom heat, - Hot air gentle, hot air + steam
- Temperature range 50 °C - 275 °C
- Cavity volume: 76 l

Hook-in racks / rails

- 5 shelf positions
- 1 level telescopic shelf

Design

- Rotary Control, Round
- Cavity inner surface: enamel anthracite
- Extra large capacity oven

Cleaning

- EcoClean coating: back panel
- Oven cleaning program: Cleaning aid

Comfort

- BM52T
- Electronic clock with timer
- AutoPilot
 - Automatic start
 - Heating-up indicator
- AutoPilot 10
- Straight bar handle
- Supporting systems: Automatic programmes
- Interior halogen light
- Water bowl with a volume of 250 ml
- Integral cooling fan

Accessories

- 1 x air fry & grill tray, 1 x combination grid, 1 x deep tray, 1 x universal pan

Environment and Safety

- Triple glazed glazed CoolTouch door
- Childproof lock
 - Residual heat indicator

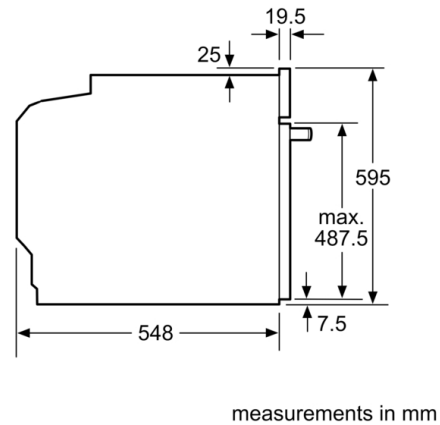
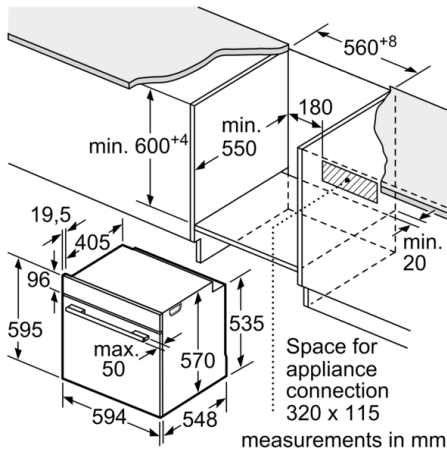
Technical Info

- Length of mains cable: 120 cm
- Nominal voltage: 220 - 240 V
- Electrical connection rating: 2800 W
- Energy efficiency rating (acc. EU Nr. 65/2014): A (at a range of energy efficiency classes from A+++ to D)
 - Energy consumption per cycle in conventional mode: 0.98 kWh
 - Energy consumption per cycle in fan-forced convection mode: 0.83 kWh
- Number of cavities: 1
- Heat source: electrical
- Cavity volume: 76 l

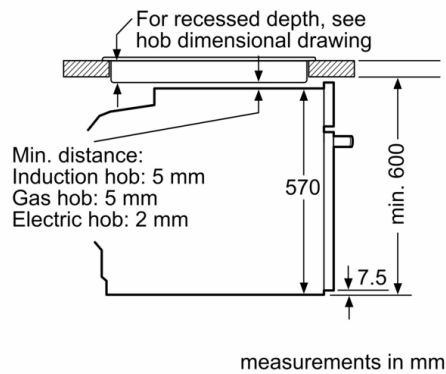
Dimensions:

- Dimensions of the product (HxWxD mm) : 595 x 594 x 548
- Niche dimension (HxWxD): 585 mm - 595 mm x 560 mm - 568 mm x 550 mm
- "Please refer to the built-in dimensions provided in the installation drawing"

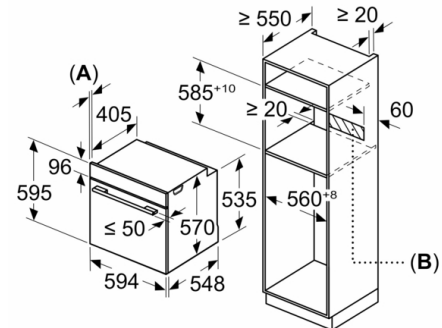
**Series 4, Built-in Oven with Added Steam
Function, 60 x 60 cm, Black
HUA736EA0K**



Installation with a hob.



Measurements in mm



A: 19.5 mm
B: Space for appliance connection 320 x
115 mm