

**Series 6, Built-in Oven, 60 x 60 cm,
Stainless steel
HJG852YS0K**



1 x combination grid, 1 x universal pan, 2 x universal pan, slim size,
1 x air fry & grill tray

HEZ629070 Air Fry & Grill tray

**The built-in oven with AutoPilot:
automatically prepares perfect dishes.**

- Grâce au plateau de cuisson Air Fry Grill, vous pouvez cuisiner des aliments plus sains en utilisant moins de matières grasses.
- **3D Hotair:** even heat distribution for perfect results on up to three levels.
- **Eco Clean Direct:** easy cleaning thanks to a coating that breaks down grease while you bake.
- **2 universal pans, slim size:** optimized for smaller amounts of different dishes.

Gross weight: 37.3 kg
 Built-in / Free-standing: Built-in
 Cleaning: EcoClean Direct program
 Required niche size for installation (HxWxD): 585-595 x 560-568 x 550 mm
 Dimensions (HxWxD): 595x594x548 mm
 Dimensions of the packed product (HxWxD): 660x650x670 mm
 Control Panel Material: metal lacquered
 Door Material: Glass
 Net weight: 34.7 kg
 Usable volume of cavity: 76 l
 Cooking method: Air fry, Full width grill, Hotair gentle, Hot Air, Conventional heat, Pizza setting, Bottom heat, Hot air grilling
 Length electrical supply cord: 120 cm
 Pull-out system: 2-level
 Included accessories: 1 x combination grid, 1 x universal pan, 2 x universal pan, slim size, 1 x air fry & grill tray
 Broil Element Wattages cavity 1: 2800 W
 Convection Element Wattages cavity 1: 1600 W
 Energy efficiency rating: A
 Energy consumption per cycle conventional (2010/30/EC): 0.98 kWh/cycle
 Energy consumption per cycle forced air convection (2010/30/EC): 83 kWh/cycle
 Energy efficiency index (2010/30/EC): 95.4 %
 Connection rating: 2990 W
 Fuse protection: 13 A
 Voltage: 220-240 V
 Frequency: 50; 60 Hz
 Plug type: no plug
 Energy input: Electric
 Required cutout/niche size for installation (in): x
 Dimensions of the packed product: 25.98 x 25.59 x 26.37
 Net weight: 76.000 lbs
 Gross weight: 82.000 lbs



Series 6, Built-in Oven, 60 x 60 cm, Stainless steel HJG852YS0K

The built-in oven with AutoPilot: automatically prepares perfect dishes.

Heating Functions

- Oven with 8 heating methods:
 - 3D hot air plus
 - Top/bottom heat
 - Hot air grilling
 - Full width grill
 - Pizza setting
 - Bottom heat
 - Hotair gentle
- Temperature range 30 °C - 275 °C
- Cavity volume: 76 l

Hook-in racks / rails

- 5 shelf positions
- 2 level telescopic shelf rails

Design

- Touch control
- Cavity inner surface: enamel anthracite
- Extra large capacity oven

Cleaning

- CeramiClean liner - sides: coating of ceiling, back panel, side liners
- Oven cleaning program: ecolyse program

Comfort

- Electronic clock with timer
- Digital temperature display with proposal
- AutoPilot
- Heating-up indicator
- AutoPilot 30
- Drop down door, SoftClose, SoftOpen
- SoftOpen
- Straight bar handle
- Supporting systems: Automatic programmes
- Interior halogen light, Switch for oven illumination
- Integral cooling fan

Accessories

- 1 x air fry & grill tray, 2 x universal pan, slim size, 1 x combination grid, 1 x universal pan

Environment and Safety

- Triple glazed glazed CoolTouch door
- Childproof lock
- Automatic switch off
- Start button

Technical Info

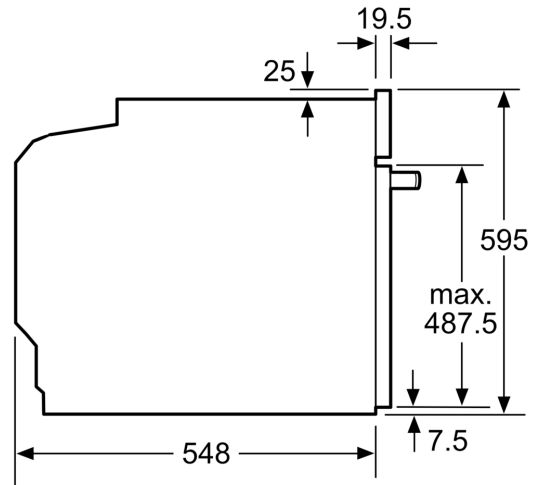
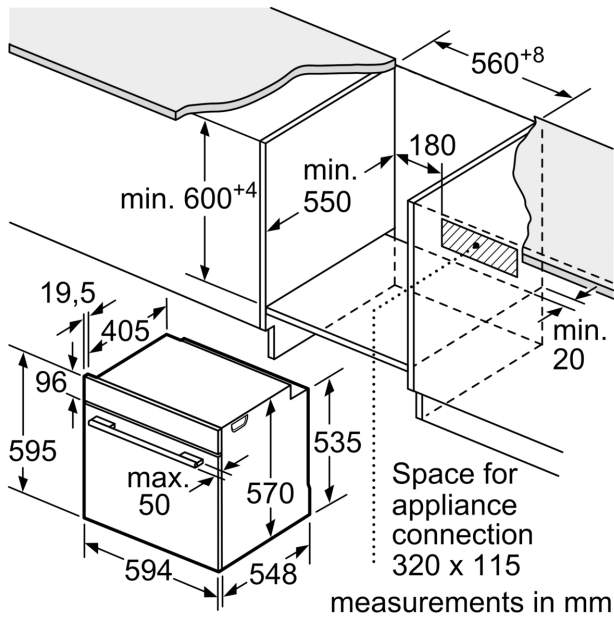
- Length of mains cable: 120 cm
- Nominal voltage: 220 - 240 V
- Electrical connection rating: 2990 W

- Energy efficiency rating (acc. EU Nr. 65/2014): A (at a range of energy efficiency classes from A+++ to D)
- Energy consumption per cycle in conventional mode: 0.98 kWh
- Energy consumption per cycle in fan-forced convection mode: 0.83 kWh
- Number of cavities: 1
- Heat source: electrical
- Cavity volume: 76 l

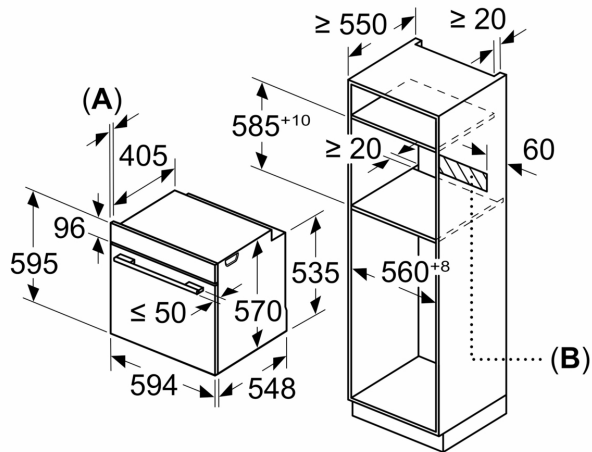
Dimensions:

- Dimensions of the product (HxWxD mm) : 595 x 594 x 548
- Niche dimension (HxWxD): 585 mm - 595 mm x 560 mm - 568 mm x 550 mm
- "Please refer to the built-in dimensions provided in the installation drawing"

**Series 6, Built-in Oven, 60 x 60 cm,
Stainless steel
HJG852YS0K**



Measurements in mm



A: 19.5 mm
B: Space for appliance connection 320 x 115 mm

Installation with a hob.

