

**Serie | 2, Built-in oven, Stainless steel
HBN331E1K**

Included accessories

1 x baking tray
1 x combination grid
1 x universal pan

The built-in oven with special hot air function: you achieve perfect baking and roasting results on up to two levels simultaneously.

- **Hotair:** perfect results thanks to optimal distribution of heat on up to 2 levels simultaneously.
- **Flap door:** for especially convenient opening and closing of the oven door.
- **Energy efficiency class A:** Best baking results with low energy consumption

Technical Data

Color / Material Front :	Stainless steel
Built-in / Free-standing :	Built-in
Integrated Cleaning system :	No
Required niche size for installation (HxWxD) :	575-597 x 560-568 x 550
Dimensions of the product (mm) :	595 x 595 x 548
Dimensions of the packed product (HxWxD) (mm) :	660 x 670 x 650
Control Panel Material :	Metal
Door Material :	Glass
Net weight (kg) :	33.532
Usable volume of cavity (l) :	66
Cooking method :	3D hot air, Bottom heat, Conventional heat, Full width variable grill, Hot air grilling
Number of interior lights :	1
Approval certificates :	CE, KEMA
Length electrical supply cord (cm) :	200
Interior Lights - cavity 1 :	1
Clock function :	Alarm, Off, On
Included accessories :	1 x baking tray, 1 x combination grid, 1 x universal pan
Broil Element Wattages cavity 1 (W) :	2800
Energy efficiency class (2010/30/EC) :	A
Energy consumption per cycle conventional (2010/30/EC) :	0.98
Energy consumption per cycle forced air convection (2010/30/EC) :	0.82
Energy efficiency index (2010/30/EC) :	98.8
Connection Rating (W) :	2900
Current (A) :	13
Voltage (V) :	220-240
Frequency (Hz) :	60; 50
Plug type :	GB plug
Color / Material Front :	Stainless steel
Energy input :	Electric
Approval certificates :	CE, KEMA
Required cutout/niche size for installation (in) :	x x
Dimensions of the packed product (in) :	25.98 x 25.59 x 26.37
Net weight (lbs) :	74.000
Gross weight (lbs) :	79
Length electrical supply cord (cm) :	200
Net weight (kg) :	33.532
Gross weight (kg) :	35.8



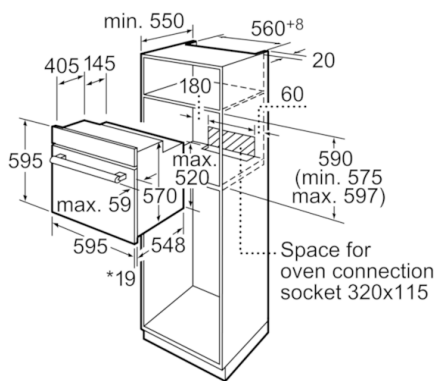
4 242002 841434

Serie | 2, Built-in oven, Stainless steel HBN331E1K

The built-in oven with special hot air function: you achieve perfect baking and roasting results on up to two levels simultaneously.

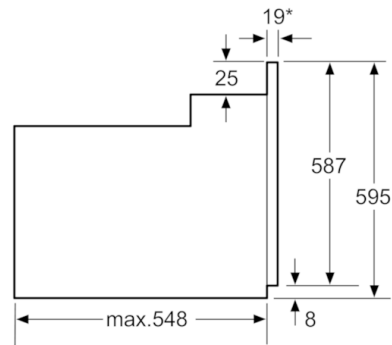
-
- 5 heating modes:
 - Top/bottom heat
 - 3D hot air
 - Bottom heat
 - Full width variable grill
 - Hot air grilling
 - Cavity volume: 66 l
 - Temperature range 50 °C - 270 °C
 - Electronic clock with timer
 - Childproof lock
 - Retractable rotary knobs
 - Enamelled cavity (brown)
 - Integral cooling fan
 - Glass inner door
 - Removable oven door for easy-cleaning
 - Interior lighting
 - Oven cavity with removable rack supports
 - 1 x baking tray, 1 x combination grid, 1 x universal pan
 - Total connected load: Total connected load: 2.9 kW
 - Appliance dimension (HxWxD): 595 mm x 595 mm x 548 mm
 - Cable with plug (2.00 m)
 - Energy efficiency rating (acc. EU Nr. 65/2014):
 - Energy consumption per cycle in conventional mode: 0.98 kwh
 - Energy consumption per cycle in fan-forced convection mode: 0.82 kwh
 - Number of cavities: 1
 - Heat source: electrical
 - Cavity volume: 66 l

**Serie | 2, Built-in oven, Stainless steel
HBN331E1K**



*20 mm for metal fascias

Measurements in mm



* 20 mm for metal fascias

Dimensions in mm