

**Series 6, Built-in Oven, 60 x 60 cm,
NeoKlassik, Flat black
HBJN10YB0R**



1 x enamel baking tray, 1 x combination grid, 1 x universal pan

HEZ317000	Pizza pan, enamelled
HEZ327000	Pizza stone
HEZ333001	Lid for professional pan
HEZ425000	Grill tray
HEZ429001	Air Fry & Grill tray, anthracite
HEZ431002	Baking tray, enamelled
HEZ438201	2 level telescopic shelf rails
HEZ438301	3 level telescopic shelf rails
HEZ625071	Grill tray, anthracite
HEZ915003	Glass roasting dish, 5,4 L

The built-in oven with 3D hot air: achieve perfect baking and roasting results on up to three levels simultaneously.

- **3D Hotair:** even heat distribution for perfect results on up to three levels.
- **Pop-out controls:** for an easy to clean front.
- **2-stage telescoping rails:** for safe, easy insertion and removal of baking trays.

Gross weight: 35.0 kg
 Built-in / Free-standing: Built-in
 Cleaning: Hydrolytic
 Min. required niche size for installation (HxWxD): 575-597 x 560-568 x 550 mm
 Dimensions (HxWxD): 595x594x548 mm
 Dimensions of the packed product (HxWxD): 660 x 640 x 670 mm
 Control Panel Material: Glass
 Door Material: Glass
 Net weight: 32.3 kg
 Usable volume of cavity: 66 l
 Cooking method: Hotair gentle, Hot Air, Conventional heat, Pizza setting, Bottom heat, Hot air grilling, Full width variable grill
 Number of interior lights: 1
 Length electrical supply cord: 100.0 cm
 Interior Lights - cavity 1: 1
 Pull-out system: 2-level
 Included accessories: 1 x enamel baking tray, 1 x combination grid, 1 x universal pan
 Broil Element Wattages cavity 1: 2800 W
 Energy efficiency rating: A
 Energy consumption per cycle conventional (2010/30/EC): 0.98 kWh/cycle
 Energy consumption per cycle forced air convection (2010/30/EC): 79 kWh/cycle
 Energy efficiency index (2010/30/EC): 95.2 %
 Connection rating: 3300 W
 Fuse protection: 16 A
 Voltage: 220-240 V
 Frequency: 50 Hz
 Plug type: GARDY plug w/ earthing
 Energy input: Electric
 Required cutout/niche size for installation (in): x
 Dimensions of the packed product: 25.98 x 25.19 x 26.37
 Net weight: 71.000 lbs
 Gross weight: 77.000 lbs
 Length electrical supply cord: 100.0 cm
 Net weight: 32.3 kg



Series 6, Built-in Oven, 60 x 60 cm, NeoKlassik, Flat black HBJN10YB0R

The built-in oven with 3D hot air: achieve perfect baking and roasting results on up to three levels simultaneously.

Heating Functions

- Oven with 7 heating methods:
 - - 3D hot air plus
 - - Top/bottom heat - Hot air grilling - Pizza setting - Bottom heat - Hot air gentle - Full width variable grill
- Temperature range 50 °C - 270 °C
- Cavity volume: 66 l

Hook-in racks / rails

- 2 level telescopic shelf rails

Design

- Rotary Control, Retractable rotary knobs, Round knobs

Cleaning

- Oven cleaning program: Cleaning aid

Comfort

- Fast heat
- Interior halogen light
- Integral cooling fan
- Straight bar handle

Accessories

- 1 x enamel baking tray, 1 x combination grid, 1 x universal pan

Environment and Safety

- Number of door glasses: 2

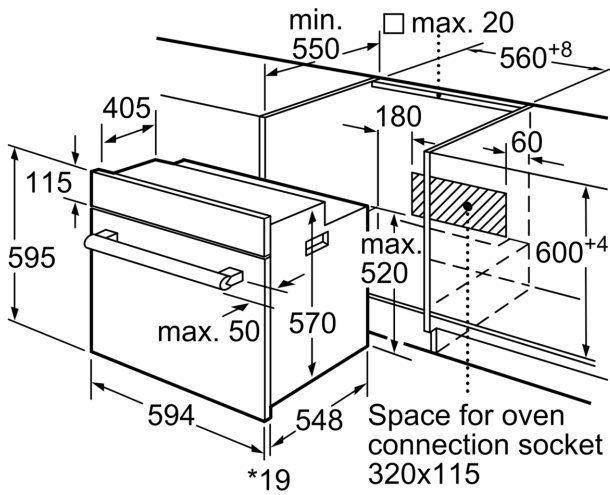
Technical Info

- Length of mains cable: 100 cm
- Nominal voltage: 220 - 240 V
- Electrical connection rating: 3300 W
- Energy efficiency rating (acc. EU Nr. 65/2014): A (at a range of energy efficiency classes from A+++ to D)
- Energy consumption per cycle in conventional mode: 0.98 kWh
- Energy consumption per cycle in fan-forced convection mode: 0.79 kWh
- Number of cavities: 1 Heat source: electrical Cavity volume: 66 l

Dimensions:

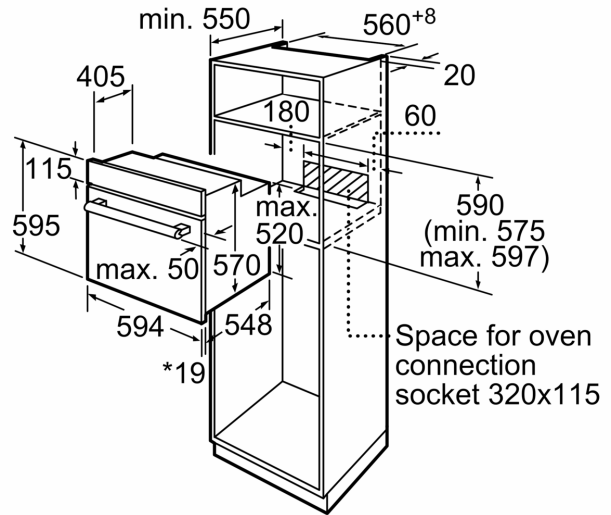
- Dimensions of the product (HxWxD mm) : 595 x 594 x 548
- Niche dimension (HxWxD): 575 mm - 597 mm x 560 mm - 568 mm x 550 mm
- "Please refer to the built-in dimensions provided in the installation drawing"

**Series 6, Built-in Oven, 60 x 60 cm,
NeoKlassik, Flat black
HBJN10YB0R**



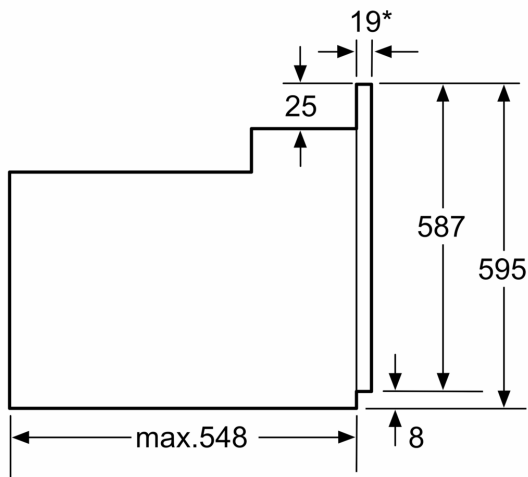
* 20 mm for metal fascias

measurements in mm



* 20 mm for metal fascias

measurements in mm



* 20 mm for metal fascias

Dimensions in mm