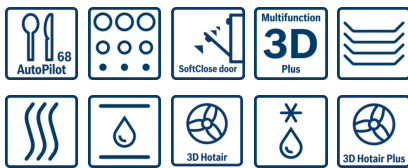


Serie | 8, Built-in oven, Stainless steel HBG78B950



Included accessories

1 x enamel baking tray, suit. pyrolytic clean, 1 x combination grid, 1 x universal pan, suit. pyrol. clean., 1 x trayholder pyrolytic models

The built-in oven with intelligent automatic programmes: the selected dish is a perfect success with minimal effort on your part.

- **AutoPilot68:** every dish is a perfect success thanks to 68 pre-set automatic programmes.
- **Pyrolytic self-cleaning:** no cleaning effort thanks to automatic self-cleaning at the push of a button.
- **3D Hotair Plus:** perfect results thanks to optimal distribution of heat on up to 3 levels simultaneously.
- **Flap door with SoftClose:** the oven door closes especially gently and quietly.
- **Hotair Eco:** energy-efficient heating mode for baking on one level.

Technical Data

Color / Material Front :	Stainless steel
Built-in / Free-standing :	Built-in
Integrated Cleaning system :	Pyrolytic
Required niche size for installation (HxWxD) :	590-597 x 560-568 x 550
Dimensions of the product (mm) :	595 x 595 x 548
Dimensions of the packed product (HxWxD) (mm) :	670 x 680 x 670
Control Panel Material :	Stainless steel
Door Material :	Glass
Net weight (kg) :	40.639
Usable volume of cavity (l) :	63
Cooking method :	Bottom heat, Conventional heat, Defrost, Full width variable grill, Half width variable grill, Hot Air, Hot Air-Eco, Hot air grilling, Intensive heat, low temperature cooking, Pizza setting, pre-heating, Special baking setting, warming
First cavity material :	Enamelled
Number of interior lights :	2
Approval certificates :	CE, VDE
Length electrical supply cord (cm) :	120
Interior Lights - cavity 1 :	2
Pull-out system :	Accessory
Clock function :	Alarm, Off, On
Included accessories :	1 x enamel baking tray, suit. pyrolytic clean, 1 x combination grid, 1 x universal pan, suit. pyrol. clean., 1 x trayholder pyrolytic models
Broil Element Wattages cavity 1 (W) :	2800
Convection Element Wattages cavity 1 (W) :	2100
Energy efficiency class (2010/30/EC) :	A
Energy consumption per cycle conventional (2010/30/EC) :	0.79
Energy consumption per cycle forced air convection (2010/30/EC) :	0.70
Energy efficiency index (2010/30/EC) :	86.4
Connection Rating (W) :	3650
Current (A) :	16
Voltage (V) :	220-240
Frequency (Hz) :	60; 50
Plug type :	Gardy plug w/ earthing
Color / Material Front :	Stainless steel
Energy input :	Electric
Approval certificates :	CE, VDE
Required cutout/niche size for installation (in) :	x x
Dimensions of the packed product (in) :	26.37 x 26.37 x 26.77
Net weight (lbs) :	90.000
Gross weight (lbs) :	94
Length electrical supply cord (cm) :	120
Net weight (kg) :	40.639
Gross weight (kg) :	43.0



Serie | 8, Built-in oven, Stainless steel HBG78B950

The built-in oven with intelligent automatic programmes: the selected dish is a perfect success with minimal effort on your part.

Safety functions

- Residual heat indicator, Childproof lock, Electronic door lock, Start button, Automatic switch off
- Child lock function: oven door can be locked
- Automatic switch off
- Maximum window temperature 30°C
- Integral cooling fan

Performance

- 14 heating methods:
 - Defrost setting
 - Hot Air-Eco
 - Hold warm
 - Plate warming setting
 - Half width variable grill
 - Full width variable grill
 - 3D hot air plus
 - Intensive heat
 - Top/bottom heat
 - Special baking setting
 - Pizza setting
 - Soft steaming
 - Bottom heat
 - Hot air grilling
- Extra large 65 litre capacity
- Energy efficiency class: A-20%

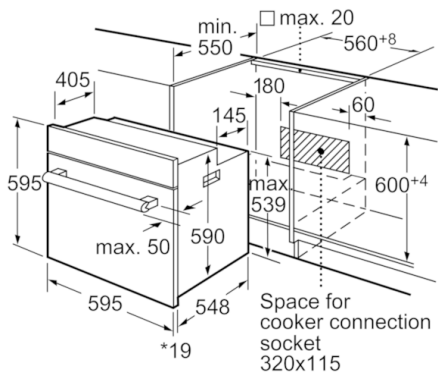
Features

- 68 automatic programs
- Pyrolytic cleaning function
- Memory function
- Digital temperature display
- Automatic rapid heating up
- 4 layer glass door
- Maximum window temperature 30°C
- Sabbath Mode
- Heating up indicator
- Residual heat indicator
- Automatic switch off
- Automatic temperature suggestion
- Accurate temperature control 30-300°C

Design

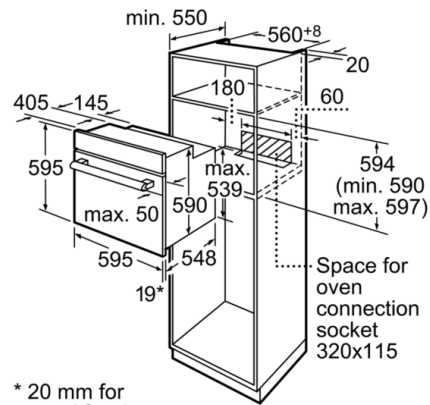
- Control panel height 96mm: for a perfect horizontal combination with panorama appliances
- Full metal illuminated retractable controls
- Clear text display
- Metal touch control
- Bar handle
- Extra large capacity oven with grey enamel
- Softlight
- Oven interior light to be switched-off
- 5 shelf positions

**Serie | 8, Built-in oven, Stainless steel
HBG78B950**



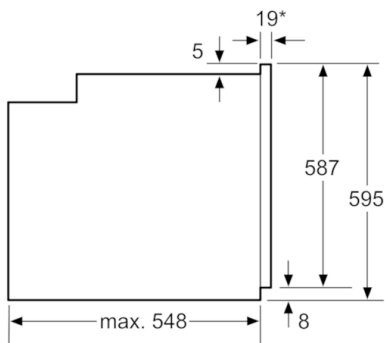
* 20 mm for metal fascias

Measurements in mm



* 20 mm for metal fascias

Measurements in mm



* 20 mm for metal fascias

Measurements in mm