

**Serie | 8, Built-in Oven, 60 x 60 cm,
Stainless steel
HBG676ES1**



The built-in oven with PerfectBake and PerfectRoast: you get perfect baking and roasting results – automatically

- **4D Hot Air:** even heat distribution for perfect results – on any level
- **DishAssist:** automatic setting of the optimal type of heat, temperature and time for countless dishes.
- **TFT touchscreen control:** easy-to-use thanks to the control ring with full text and images
- **Pyrolytic self-cleaning:** no cleaning effort thanks to automatic self-cleaning.
- **Flap door with SoftClose:** the oven door closes especially gently and quietly.

Technical Data

Color / Material Front :	Stainless steel
Built-in / Free-standing :	Built-in
Required niche size for installation (HxWxD) :	585-595 x 560-568 x 550
Dimensions :	595 x 594 x 548
Dimensions of the packed product (HxWxD) (mm) :	670 x 680 x 670
Control Panel Material :	Stainless steel
Door Material :	Glass
Net weight (kg) :	38.044
Usable volume of cavity (l) :	71
Cooking method :	Bottom heat, Conventional heat, Defrost, Full width grill, Half width grill, Hot Air-Eco, Hot air grilling, low temperature cooking, Pizza setting, pre-heating, warming
Number of interior lights :	1
Approval certificates :	CE, VDE
Length electrical supply cord (cm) :	120
Interior Lights - cavity 1 :	1
Pull-out system :	Accessory
Clock function :	Alarm, Off, On
Broil Element Wattages cavity 1 (W) :	2800
Convection Element Wattages cavity 1 (W) :	2200
Energy efficiency rating :	A+
Energy consumption per cycle conventional (2010/30/EC) :	0.87
Energy consumption per cycle forced air convection (2010/30/EC) :	0.69
Energy efficiency index (2010/30/EC) :	81.2
Connection Rating (W) :	3600
Current (A) :	16
Voltage (V) :	220-240
Frequency (Hz) :	60; 50
Plug type :	Gardy plug w/ earthing
Color / Material Front :	Stainless steel
Alternative colors available :	HBG676EB1, HBG676EW1
Energy input :	Electric
Approval certificates :	CE, VDE
Required cutout/niche size for installation (in) :	x x
Dimensions of the packed product (in) :	26.37 x 26.37 x 26.77
Net weight (lbs) :	84.000
Gross weight (lbs) :	89.000
Length electrical supply cord (cm) :	120
Net weight (kg) :	38.044
Gross weight (kg) :	40.4



Serie | 8, Built-in Oven, 60 x 60 cm, Stainless steel HBG676ES1

The built-in oven with PerfectBake and PerfectRoast: you get perfect baking and roasting results – automatically

Heating Functions

- Oven with 13 heating methods: - 4D hot air - Hot Air Eco - Top/bottom heat - Top/Bottom Eco - Hot air grilling - Full width grill - Half width grill - Pizza setting - Bottom heat - Slow cooking - Defrost setting Plate warming - Hold warm
- Temperature range 30 °C - 300 °C
- Cavity volume: 71 l

Design

Cleaning

- Pyrolytic cleaning function

Comfort

- Supporting systems: Dish categories
- Baking sensor - Multipoint temperature probe
- Electronic clock with timer
- Rapid heating-up
- Halogen interior lighting, Switch for oven illumination
- Integral cooling fan

Hook-in racks / rails

Accessories

- 1 x universal pan, 1 x combination grid, 1 x enamel baking tray

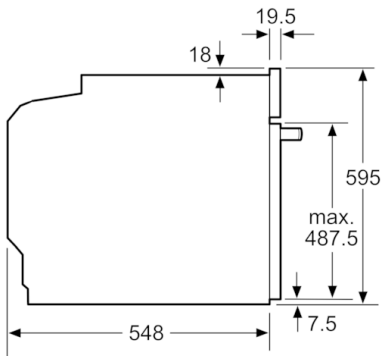
Environment and Safety

- Electronic door lock Childproof lock Automatic switch off Residual heat indicator Start button Door contact switch

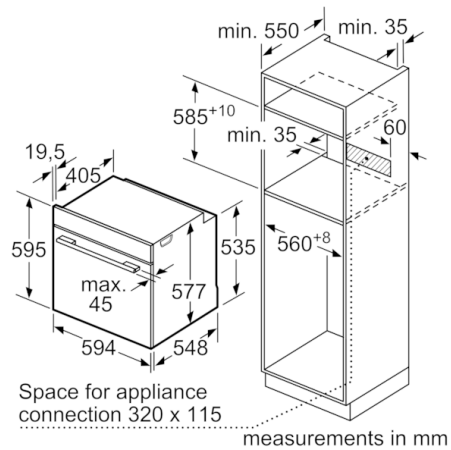
Technical Info

- Length of mains cable: 120 cm
- Total connected load electric: 3.6 KW
- Appliance dimension (HxWxD): 595 mm x 594 mm x 548 mm
- Niche dimension (HxWxD): 585 mm - 595 mm x 560 mm - 568 mm x 550 mm
- "Please refer to the built-in dimensions provided in the installation drawing"

Serie | 8, Built-in Oven, 60 x 60 cm, Stainless steel
HBG676ES1



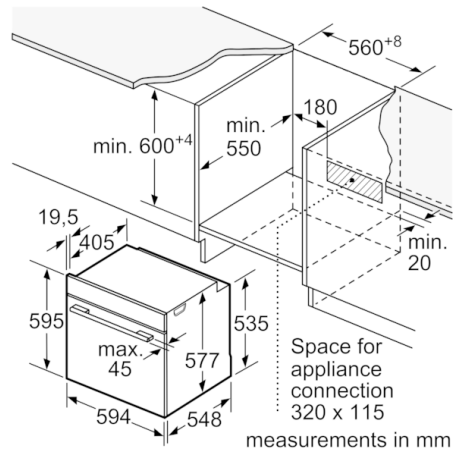
measurements in mm



measurements in mm

If the appliance will be installed underneath a hob, the following worktop thicknesses (including substructure if necessary) must be taken into account.

Hob type	min. worktop thickness	
	fitted	flush
Induction hob	37 mm	38 mm
Full surface Induction hob	47 mm	48 mm
Gas hob	30 mm	38 mm
Electric hob	27 mm	30 mm



measurements in mm