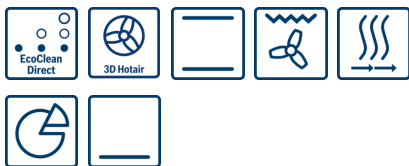


**Serie | 4, Built-in oven, Stainless steel
HBA534BS0A**



Included accessories

- 1 x grill tray
- 2 x Combination grid
- 1 x universal pan

The built-in oven with 3D hot air: achieve perfect baking and roasting results on up to three levels simultaneously.

- **3D Hotair:** perfect results thanks to optimal distribution of heat on up to 3 levels simultaneously.
- **pop-out controls:** for an easy to clean front.
- **EcoClean Direct:** almost no cleaning is necessary thanks to a special coating of the rear wall that automatically absorbs grime.
- **GranitEnamel:** very easy to clean interior thanks to smooth surfaces and no sharp edges.

Technical Data

| | |
|---|---|
| Color / Material Front : | Stainless steel |
| Built-in / Free-standing : | Built-in |
| Integrated Cleaning system : | No |
| Required niche size for installation (HxWxD) : | 585-595 x 560-568 x 550 |
| Dimensions of the product (mm) : | 595 x 594 x 548 |
| Dimensions of the packed product (HxWxD) (mm) : | 660 x 680 x 650 |
| Control Panel Material : | Stainless steel |
| Door Material : | Glass |
| Net weight (kg) : | 34.389 |
| Usable volume of cavity (l) : | 71 |
| Cooking method : | Bottom heat, Conventional heat, Full width grill, Hot Air, Hotair gentle, Hot air grilling, Pizza setting |
| First cavity material : | Other |
| Number of interior lights : | 1 |
| Approval certificates : | CE, VDE |
| Length electrical supply cord (cm) : | 120 |
| Interior Lights - cavity 1 : | 1 |
| Pull-out system : | Accessory |
| Clock function : | Alarm, Off, On |
| Included accessories : | 1 x grill tray, 2 x combination grid, 1 x universal pan |
| Broil Element Wattages cavity 1 (W) : | 2700 |
| Convection Element Wattages cavity 1 (W) : | 2200 |
| Energy efficiency class (2010/30/EC) : | A |
| Energy consumption per cycle conventional (2010/30/EC) : | 0.97 |
| Energy consumption per cycle forced air convection (2010/30/EC) : | 0.81 |
| Energy efficiency index (2010/30/EC) : | 95.3 |
| Connection Rating (W) : | 3400 |
| Current (A) : | 16 |
| Voltage (V) : | 220-240 |
| Frequency (Hz) : | 60; 50 |
| Plug type : | no plug |
| Color / Material Front : | Stainless steel |
| Energy input : | Electric |
| Approval certificates : | CE, VDE |
| Required cutout/niche size for installation (in) : | x x |
| Dimensions of the packed product (in) : | 25.98 x 25.59 x 26.77 |
| Net weight (lbs) : | 76.000 |
| Gross weight (lbs) : | 81 |
| Length electrical supply cord (cm) : | 120 |
| Net weight (kg) : | 34.389 |
| Gross weight (kg) : | 37.0 |



Serie | 4, Built-in oven, Stainless steel HBA534BS0A

The built-in oven with 3D hot air: achieve perfect baking and roasting results on up to three levels simultaneously.

Heating Functions

- Oven with 7 heating methods:
 - 3D hot air plus
 - Top/bottom heat
 - Hot air grilling
 - Full width grill
 - Pizza setting
 - Bottom heat
 - Hotair gentle

Hook-in racks / rails

- Accessory

Design

- Rotary Control, Retractable rotary knobs, Round knobs
- Bar handle
- Extra large capacity oven with grey enamel

Cleaning

- EcoClean coating: back panel
- Full glass inner door

Comfort

- Cavity volume: 71 l
- Temperature range 50 °C - 275 °C
- Electronic clock with timer
- bottom
- Rapid heating-up
- Halogen interior lighting
- Integral cooling fan

Accessories

- 1 x grill tray, 2 x combination grid, 1 x universal pan

Environment and Safety

- Maximum window temperature 40°C
- Childproof lock

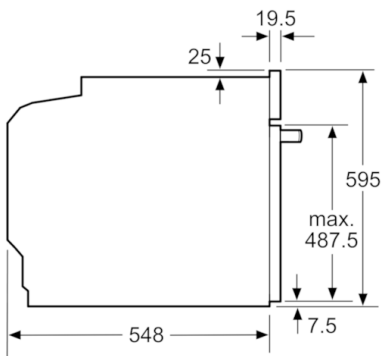
Technical Info

- Length of mains cable: 120 cm
- Nominal voltage: 220 - 240 V
- Total connected load electric: 3.4 KW
- Energy efficiency rating (acc. EU Nr. 65/2014): A (at a range of energy efficiency classes from A+++ to D)
Energy consumption per cycle in conventional mode: 0.97 kwh
Energy consumption per cycle in fan-forced convection mode: 0.81 kwh
Number of cavities: 1
Heat source: electrical
Cavity volume: 71 l

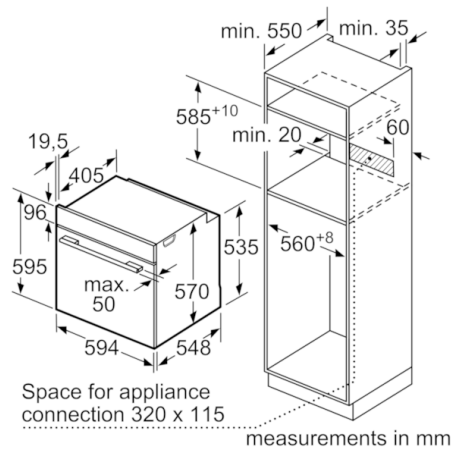
Dimensions:

- Appliance dimension (HxWxD): 595 mm x 594 mm x 548 mm
- Niche dimension (HxWxD): 585 mm - 595 mm x 560 mm - 568 mm x 550 mm
- "Please refer to the built-in dimensions provided in the installation drawing"

Serie | 4, Built-in oven, Stainless steel
HBA534BS0A

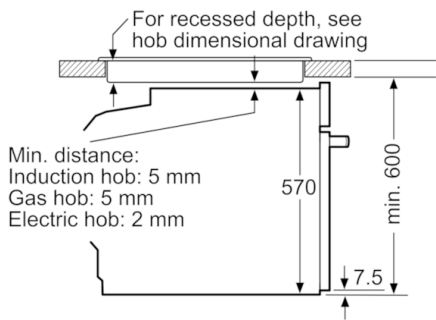


measurements in mm



measurements in mm

Installation with a hob.



measurements in mm