

**Series 2, Telescopic Hood, 90 cm,
Black
DFT93CA61B**



DWZ1IX1G9 Wall bracket
DWZ6IT0A0 Active carbon filter

The telescopic cooker hood: practically disappears into your upper cabinet, giving you a sleek kitchen front.

- **3-Speed Power Level Options To Suit Your Cooking Style And Recipes**
- **Slide Switch Control**
- **Ducted or Non-ducted Options**
- **Extraction rate: ensures optimal kitchen air quality.**

Typology: Pull-out
 Length electrical supply cord: 150.0 cm
 Min. required niche size for installation (HxWxD): 135mm x 898.0mm x 300mm mm
 Net weight: 7.8 kg
 Type of control: mechanical
 Number of speed settings: 3
 Max. air extraction: 310 m³/h
 Max. air recirculation: 220 m³/h
 Number of lights: 2
 Noise level: 67 dB(A) re 1pW
 Diameter of air outlet: 120 mm
 Grease filter material: Washable aluminium
 Odour filter: No
 Ventilation mode: Convertible
 Optional accessories: DWZ1IX1G9, DWZ6IT0A0
 Total power of the lamps: 8 W
 Grease filter type: Kassette
 Connection rating: 181 W
 Voltage: 220-240 V
 Frequency: 50 Hz
 Plug type: GB plug
 Installation typology: Built-in
 Material of the body: Lacquered
 Plug type: GB plug
 Dimensions of the product, with chimney (if exists) (in): x x
 Dimensions of the packed product: 11.41 x 40.55 x 20.07
 Net weight: 17.000 lbs
 Gross weight: 28.000 lbs
 Motor location: Integrated motor in hood body
 No-return airflow flap: Yes
 Length electrical supply cord: 150.0 cm
 Dimensions of the product, with chimney (if exists): 175 x 898.0 x 300.0 mm
 Dimensions of the packed product (HxWxD): ... 290 x 1030 x 510 mm
 Net weight: 7.8 kg
 Gross weight: 12.5 kg



**Series 2, Telescopic Hood, 90 cm,
Black
DFT93CA61B**

The telescopic cooker hood: practically disappears into your upper cabinet, giving you a sleek kitchen front.

Design

- Slimline hood, 90 cm
- Telescopic Hood black
- Black handle strip

Operation and power

- Extraction rate exhaust air according to EN 61591 max. 310 m³ / h
- Noise level according to EN 60704-3 and EN 60704-2-13 at max. normal use exhaust air: 67 dB(A) re 1 pW (48 dB(A) re 20 µPa sound pressure)
- 3 speeds

General Information

- Metal grease filter, dishwasher safe
- Suitable for ducted or re-circulated extraction
- 2 X 4 W LED Illumination

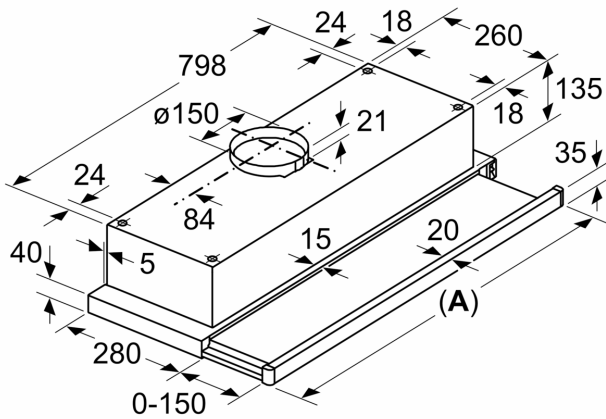
Technical information

- Dimensions exhaust air (HxWxD): 175-175 x 898 x 300 mm
- Dimensions recirculating (HxWxD): 175-175 x 898 x 300 mm
- Diameter pipe Ø 120 mm (Ø 120 mm enclosed)
- Power rating: 181 W
- Plug type: GB plug

* In accordance with the EU-Regulation No 65/2014

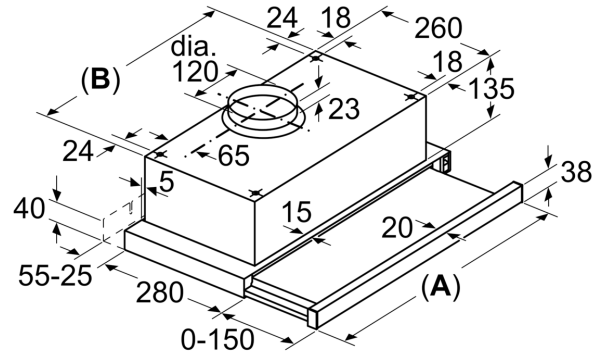
**Series 2, Telescopic Hood, 90 cm,
Black
DFT93CA61B**

Measurements in mm



A: 898.5 mm

measurements in mm



Hood Type	A	B	Hood Type	A	B
450	448	348	700	698	598
500	498	398	800	798	698
550	548	448	900	898	798
600	598	498			