

**Series 8, Built-in Compact Oven with Steam Function, 60 x 45 cm, Stainless steel  
CSG656RS2A**



1 x grid, 1 x universal pan, punched, size XL, 1 x steam container, unpunched, size S

HEZ36D163 Steam container, unpunched, size S, HEZ36D163G Steam container, punched, size S, HEZ530000 Half tray, HEZ664000 Baking and roasting grid (steam), HEZ915003 Glass roasting dish, 5,4 L, HEZ632070 Multipurpose pan, anthracite enamelled, HEZ531010 Baking tray, non-stick ceramic coated, HEZ532010 Universal pan, non-stick ceramic coated, HEZ617000 Pizza pan, anthracite enamelled, HEZ625071 Grill tray, anthracite enamelled, HEZ631070 Baking tray, anthracite enamelled, HEZ636000 Glass pan, HEZ660050 Cover Strip, HEZ660060 Strip

**The compact steam oven with PerfectBake and PerfectRoast: you get perfect results, automatically and gently**

- **Steam function:** for gentle, healthy food preparation
- **Steam baking:** by adding steam, foods turn out crispy on the outside and juicy on the inside
- **TFT touchscreen control:** easy-to-use thanks to the control ring with full text and images
- **EcoClean Direct:** almost no cleaning is necessary thanks to a special coating of the rear- and side wall and the roof that automatically absorbs grime and regeneration programme.
- **LED lighting:** perfect illumination of foods with minimum energy consumption

Gross weight: ..... 84.000 lbs  
 Built-in / Free-standing: ..... Built-in  
 Door opening: ..... Drop down  
 Min. required niche size for installation (HxWxD): 450-455 x 560-568 x 550 mm  
 Dimensions (HxWxD): ..... 455 x 594 x 548 mm  
 Dimensions of the packed product (HxWxD): ..... 520 x 650 x 710 mm  
 Control Panel Material: ..... Stainless steel  
 Door Material: ..... Glass  
 Net weight: ..... 36.0 kg  
 Length electrical supply cord: ..... 150.0 cm  
 Cooking method: Defrost, Steam 100%, fermentation, Regeneration, 4D hot air, Dehydrate, Full width grill, Hot Air-Eco, Intensive heat, Half width grill, Conventional heat, Conventional heat ECO, Pizza setting, low temperature cooking, Bottom heat, Hot air grilling, pre-heating, warming  
 Time-setting Options: ..... Start and Stop  
 Fuse protection: ..... 16 A  
 Voltage: ..... 220-240 V  
 Frequency: ..... 50; 60 Hz  
 Plug type: ..... no plug  
 Energy input: ..... Electric  
 Fuse protection: ..... 16 A  
 Voltage: ..... 220-240 V  
 Frequency: ..... 50; 60 Hz  
 Plug type: ..... no plug  
 Dimensions of the packed product: ..... 20.47 x 25.59 x 27.95  
 Net weight: ..... 79.000 lbs  
 Included accessories: ..... 1 x grid, 1 x universal pan, 1 x steam container, punched, size S, 1 x steam container, punched, size XL, 1 x steam container, unpunched, size S



## **Series 8, Built-in Compact Oven with Steam Function, 60 x 45 cm, Stainless steel CSG656RS2A**

**The compact steam oven with PerfectBake and PerfectRoast: you get perfect results, automatically and gently**

### **Heating Functions**

- Compact steam oven with 14 heating methods:
  - - 4D hot air
  - - Hot Air Eco - Top/bottom heat - Top/Bottom Eco - Hot air grilling - Full width grill - Half width grill - Pizza setting - Bottom heat - Intensive heat - Slow cooking Plate warming - Dehydrate - Keep warm
- Additional heating methods with steam: - Steam 100%
- - Regeneration - Fermentation - Defrost
- Temperature range 30°C - 250°C
- Cavity volume: 47 l

### **Design**

- Cavity inner surface: enamel anthracite
- Full glass inner door
- Drop down door, SoftClose, SoftOpen

### **Comfort**

- EcoClean coating: ceiling, back panel, side liners
- Digital temperature display with proposal
- - Actual temperature display Heating-up indicator Meat probe Sabbath setting
- Additional functions:
  - - Descaling programme
  - - Automatic boiling point detection - Drying function
- Supporting systems: Dish categories
  - - Baking sensor
  - - Multipoint temperature probe
- Electronic clock with timer
- Fast pre-heating function
- LED light, Switch for oven illumination
- Water tank with 1 l
- Water level indicator
- Integral cooling fan
- Stainless-steel fan
- Info button
- Straight bar handle

### **Hook-in racks / rails**

- Cavity with shelf support rails, 1 level telescopic shelf, 3 level telescopic shelf rails full extension, with Stop function

### **Accessories**

- 1 x steam container, punched, size S, 1 x steam container, punched, size XL, 1 x steam container, unpunched, size S, 1 x grid, 1 x universal pan

### **Environment and Safety**

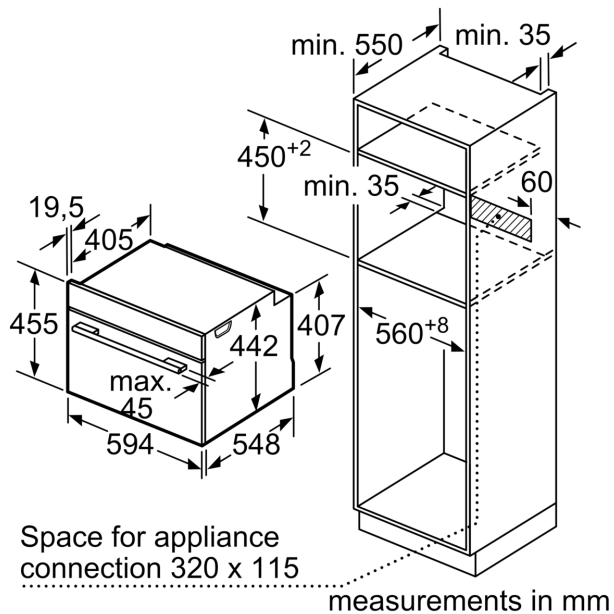
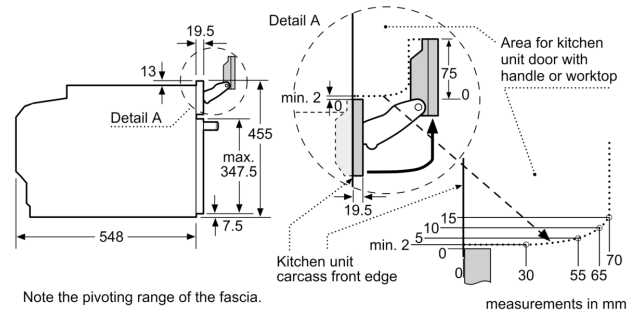
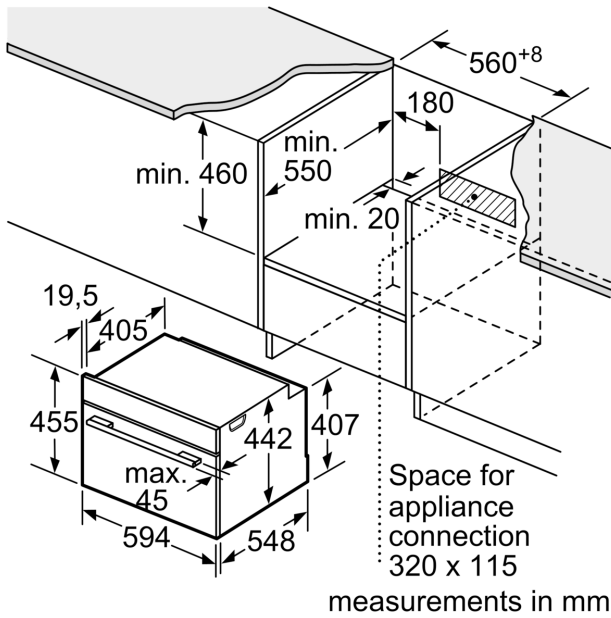
- Childproof lock

- Automatic switch off Residual heat indicator Start button Door contact switch

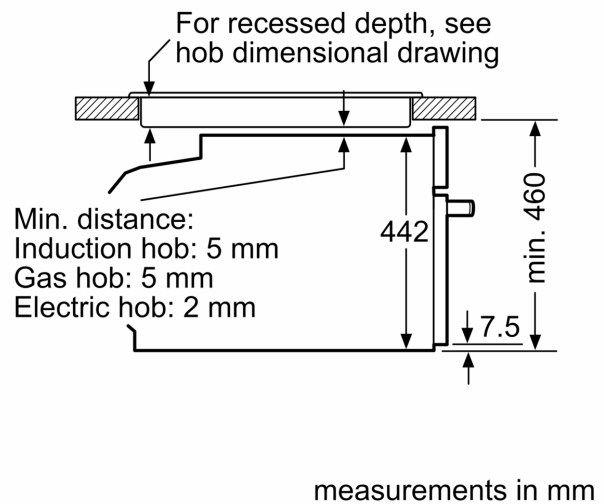
### **Technical Info**

- Dimensions of the product (HxWxD mm) : 455 x 594 x 548
- Niche dimension (HxWxD): 450 mm - 455 mm x 560 mm - 568 mm x 550 mm
- "Please refer to the built-in dimensions provided in the installation drawing"
- Maximum window temperature 40°C
- Energy efficiency rating (acc. EU Nr. 65/2014): A+(at a range of energy efficiency classes from A+++ to D)
- Energy consumption per cycle in conventional mode:0.73 kWh
- Energy consumption per cycle in fan-forced convection mode:0.61 kWh
- Number of cavities: 1 Heat source: electrical Cavity volume:47 l
- Electrical connection rating: 3300 W
- Length of mains cable: 150 cm

**Series 8, Built-in Compact Oven with  
Steam Function, 60 x 45 cm,  
Stainless steel  
CSG656RS2A**



**Installation with a hob.**



If the compact appliance will be installed underneath a hob, the following worktop thicknesses (including substructure if necessary) must be taken into account.

<b>Hob type</b>	<b>min. worktop thickness</b>	
	fitted	flush
Induction hob	42 mm	43 mm
Full surface Induction hob	52 mm	53 mm
Gas hob	32 mm	43 mm
Electric hob	32 mm	35 mm