

## Serie | 8, Built-in compact oven with steam function, Stainless steel CSG656RS1


**A+**


### Included accessories

1 x steam container, punched, size S, 1 x steam container, punched, size XL, 1 x steam container, unpunched, size S, 1 x grid, 1 x universal pan

## The compact steam oven with PerfectBake and PerfectRoast: you get perfect results, automatically and gently

- **PerfectBake Sensor and PerfectRoast thermometer:** the easy way to perfect baking and roasting results
- **Steam baking:** by adding steam, foods turn out crispy on the outside and juicy on the inside
- **DishAssist:** automatic setting of the optimal type of heat, temperature and time for countless dishes
- **TFT touchscreen control:** easy-to-use thanks to the control ring with full text and images

### Technical Data

Color / Material Front :	Stainless steel
Built-in / Free-standing :	Built-in
Door opening :	Drop down
Required niche size for installation (HxWxD) :	450-455 x 560-568 x 550
Dimensions of the product (mm) :	455 x 594 x 548
Dimensions of the packed product (HxWxD) (mm) :	520 x 660 x 710
Control Panel Material :	Stainless steel
Door Material :	Glass
Net weight (kg) :	35.633
Approval certificates :	CE, VDE
Length electrical supply cord (cm) :	150
Cooking method :	4D hot air, Bottom heat, Conventional heat, Defrost, Dehydrate, fermentation, Full width grill, Half width grill, Hot Air-Eco, Hot air grilling, Intensive heat, low temperature cooking, Pizza setting, pre-heating, Regeneration, Steam 100%, warming
Time-setting Options :	Start and Stop
Current (A) :	16
Voltage (V) :	220-240
Frequency (Hz) :	50; 60
Plug type :	Gardy plug w/ earthing
Approval certificates :	CE, VDE
Color / Material Front :	Stainless steel
Energy input :	Electric
Current (A) :	16
Voltage (V) :	220-240
Frequency (Hz) :	50; 60
Approval certificates :	CE, VDE
Plug type :	Gardy plug w/ earthing
Net weight (lbs) :	79.000
Gross weight (lbs) :	83



4 242002 789101

## Serie | 8, Built-in compact oven with steam function, Stainless steel CSG656RS1

**The compact steam oven with PerfectBake and PerfectRoast: you get perfect results, automatically and gently**

### Heating Functions

- Compact steam oven with 14 heating methods:
  - 4D hot air
  - Hot Air Eco
  - Top/bottom heat
  - Top/Bottom Eco
  - Hot air grilling
  - Full width grill
  - Half width grill
  - Pizza setting
  - Bottom heat
  - Intensive heat
  - Slow cooking
  - Plate warming setting
  - Dehydrate
  - Keep warm
- Additional heating methods with steam:
  - Steam 100%
  - Regeneration
  - Fermentation
  - Defrost
- Temperature range 30°C - 250°C
- Cavity volume: 47 l

### Design

- Rotary swivel knobs
- Cavity inner surface: Enamel anthracite

### Cleaning

- EcoClean coating: ceiling, back panel, side liners
- Oven cleaning program: ecolyse program

### Comfort

- Temperature proposal
- Actual temperature display
- Heating-up control
- Sabbath setting
- Additional functions:
  - Descaling programme
  - Automatic boiling point detection
  - Drying function
- Supporting systems: Dish categories
  - Baking sensor
  - Multipoint temperature probe
- Electronic clock with timer
- Rapid heating-up
- LED light, Switch for oven illumination
- Water tank with 1 l
- Outside cavity
- Integral cooling fan
- Stainless-steel fan
- Info button
- Bar handle

### Hook-in racks / rails

- Cavity with shelf support rails, 1 level telescopic shelf, 3 level telescopic shelf rails full extension, Detent function

### Accessories

- 1 x steam container, punched, size S, 1 x steam container, punched, size XL, 1 x steam container, unpunched, size S, 1 x grid, 1 x universal pan

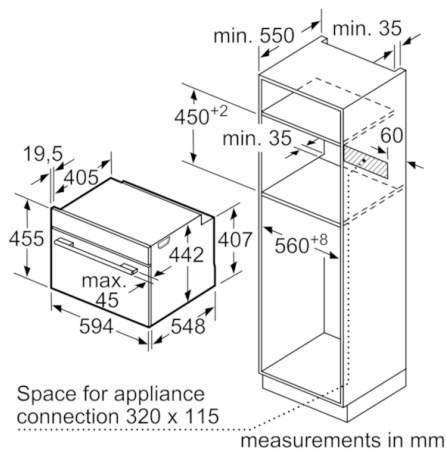
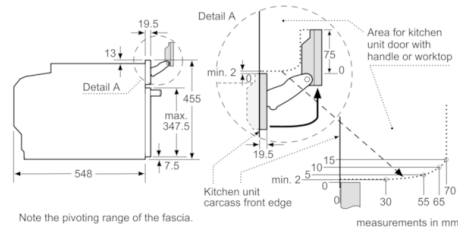
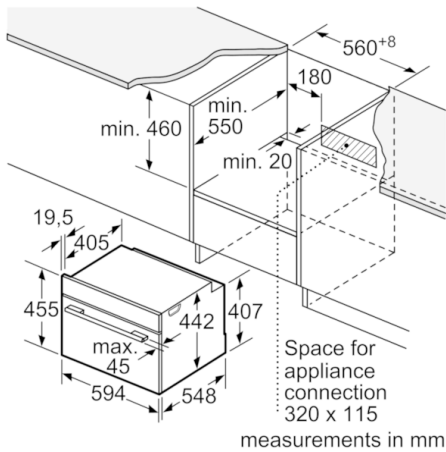
### Environment and Safety

- Energy efficiency rating A+
- Triple glass door
- Childproof lock
  - Automatic switch off
  - Residual heat indicator
  - Start button
  - Door contact switch

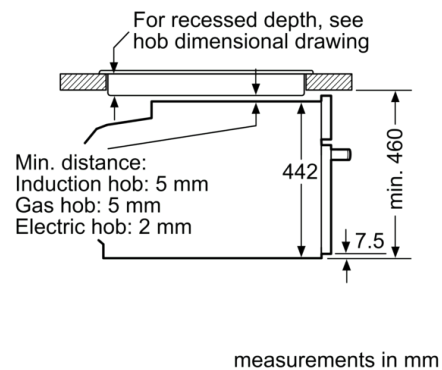
### Technical Info

- Length of mains cable: 150 cm
- Total connected load electric: 3.3 KW
- Appliance dimension (HxWxD): 455 mm x 594 mm x 548 mm
- Niche dimension (HxWxD): 450 mm - 455 mm x 560 mm - 568 mm x 550 mm
- "Please refer to the built-in dimensions provided in the installation drawing"
- Maximum window temperature 40°C

**Serie | 8, Built-in compact oven with steam function, Stainless steel  
CSG656RS1**



**Installation with a hob.**



If the compact appliance will be installed underneath a hob, the following worktop thicknesses (including substructure if necessary) must be taken into account.

Hob type	min. worktop thickness	
	fitted	flush
Induction hob	42 mm	43 mm
Full surface Induction hob	52 mm	53 mm
Gas hob	32 mm	43 mm
Electric hob	32 mm	35 mm