

**Serie | 8, Built-in Steamer, 60 x 45 cm,
Stainless steel
CDG634BS1**



Included accessories

1 x steam container, punched, size L, 1 x steam container, unpunched, size L, 1 x sponge

The steamer: prepare foods especially gently, retaining the aroma and vitamins

- **Steam function:** for gentle, healthy food preparation
- **TFT display control:** easy-to-use thanks to the control ring with full text and symbols
- **Flap door with SoftOpen and SoftClose:** the oven door opens and closes especially gently and quietly.

Technical Data

Color / Material Front :	Stainless steel
Built-in / Free-standing :	Built-in
Required niche size for installation (HxWxD) :	450-455 x 560-568 x 550
Dimensions of the packed product (HxWxD) (mm) :	520 x 650 x 710
Control Panel Material :	Stainless steel
Door Material :	Glass
Net weight (kg) :	24.523
Approval certificates :	CE, VDE
Length electrical supply cord (cm) :	150
Connection Rating (W) :	1750
Current (A) :	10
Voltage (V) :	220-240
Frequency (Hz) :	60; 50
Plug type :	Gardy plug w/ earthing
Approval certificates :	CE, VDE



4 242002 789132

Serie | 8, Built-in Steamer, 60 x 45 cm, Stainless steel CDG634BS1

**The steamer: prepare foods especially
gently, retaining the aroma and vitamins**

Heating Functions

- Cavity volume: 38 l

Design

Cleaning

Comfort

- Supporting systems: Automatic programmes
- Electronic clock with timer
- Interior lighting, Switch for oven illumination
- Water tank with 1.3 l
- Integral cooling fan

Hook-in racks / rails

Accessories

- 1 x steam container, punched, size L, 1 x steam container, unpunched, size L, 1 x sponge

Environment and Safety

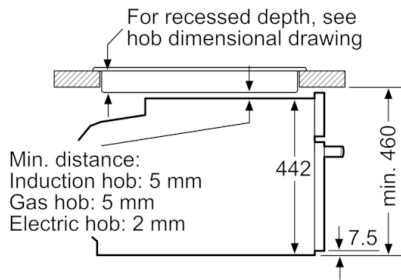
- Childproof lock
- Automatic switch off
- Start button
- Door contact switch

Technical Info

- Length of mains cable: 150 cm
- Electrical connection rating: 1750 W
- Dimensions of the product (HxWxD mm) : 455 x 594 x 548
- "Please refer to the built-in dimensions provided in the installation drawing"

**Serie | 8, Built-in Steamer, 60 x 45 cm,
Stainless steel
CDG634BS1**

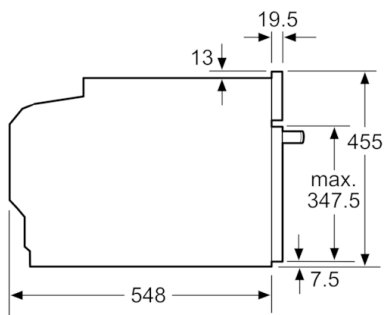
Installation with a hob.



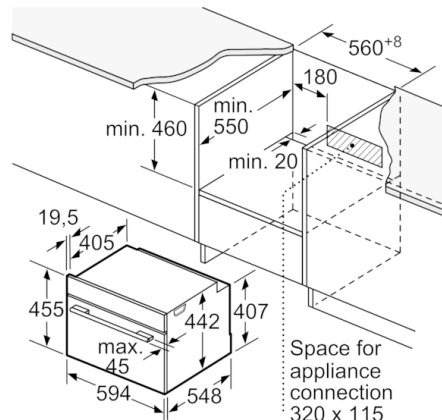
measurements in mm

If the compact appliance will be installed underneath a hob, the following worktop thicknesses (including substructure if necessary) must be taken into account.

Hob type	min. worktop thickness	
	fitted	flush
Induction hob	42 mm	43 mm
Full surface Induction hob	52 mm	53 mm
Gas hob	32 mm	43 mm
Electric hob	32 mm	35 mm



measurements in mm



measurements in mm

