

**Series 6, Built-in Microwave Oven,
59 x 38 cm, Stainless steel
BEL554MS0B**



1 x grid, 1 x Turntable

HEZ86D000 Steamer Cooker Accessory for Microwave

**The built-in microwave for the 38 cm
niche: use it for thawing, heating and
faster preparation of foods.**

- **Microwave function:** time saving preparation, defrosting and re-heating of dishes.
- **pop-out controls:** for an easy to clean front.

Additional function:Grill function
 Type of control:Electronic
 Dimensions (HxWxD): 382x594x388 mm
 Cavity dimensions: 208 x 328 x 369 mm
 Length electrical supply cord: 130.0 cm
 Net weight: 17.8 kg
 Gross weight: 21.6 kg
 Max. microwave power level: 900 W
 Number of power levels: 5
 Turntable: Yes
 Cavity material: Stainless steel
 Door opening: Button
 Clock: Yes
 Included accessories: 1 x grid, 1 x Turntable
 Height of the appliance: 382 mm
 Width of the appliance: 594 mm
 Depth of the product: 388 mm
 Max. microwave power level: 900 W
 Connection rating: 1450 W
 Fuse protection: 10 A
 Voltage: 230-240 V
 Frequency: 50 Hz
 Plug type: GB plug
 Required cutout/niche size for installation (in):X
 Dimensions of the packed product: 17.71 x 17.71 x 25.98
 Net weight: 39.000 lbs
 Gross weight: 48.000 lbs



Series 6, Built-in Microwave Oven, 59 x 38 cm, Stainless steel BEL554MS0B

The built-in microwave for the 38 cm niche: use it for thawing, heating and faster preparation of foods.

Microwave and heating mode:

- Max. Power: 900 W; 5 Microwave power settings: 90 W, 180 W, 360 W, 600 W, 900 W
- Grill 1200 W
- Grill and microwave power levels 90 W, 180 W, 360 W combinable
- Microwave and grill for separate use
- Cavity volume: 25 l

Design

- stainless steel cavity

Comfort

- LED
- electronic clock
- User-friendly electronics: extremely
- easy and comfortable operation
- AutoPilot 8
- 4 defrost and 3 cooking programmes in microwave function, 1 programme for combination function
- Memory function (1 setting)
- LED light
- 31.5 cm Glass
- side opening door, hinge left

Accessories

- 1 x Turntable, 1 x grid

Environment and Safety

- Automatic switch off
- Door contact switch
- Integral cooling fan

Technical Info

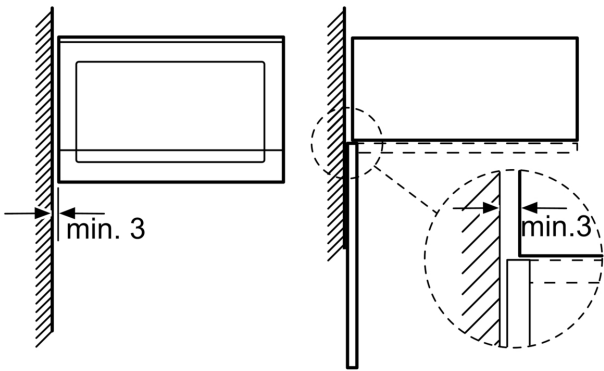
- Length of mains cable: 130 cm
- Electrical connection rating: 1450 W
- Nominal voltage: 230 - 240 V
- Suitable for tall housing installation

Dimensions:

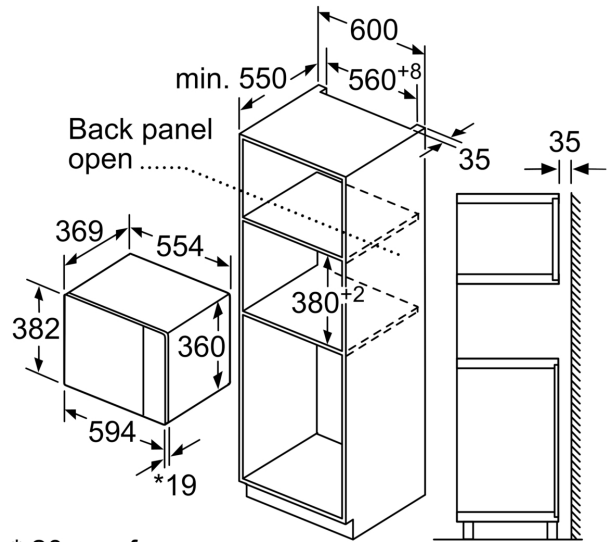
- Dimensions of the product (HxWxD mm) : 382 x 594 x 388
- Niche dimension (HxWxD): 380 mm - 382 mm x 560 mm - 568 mm x 550 mm
- "Please refer to the built-in dimensions provided in the installation drawing"

**Series 6, Built-in Microwave Oven,
59 x 38 cm, Stainless steel
BEL554MS0B**

Microwave,
corner installation

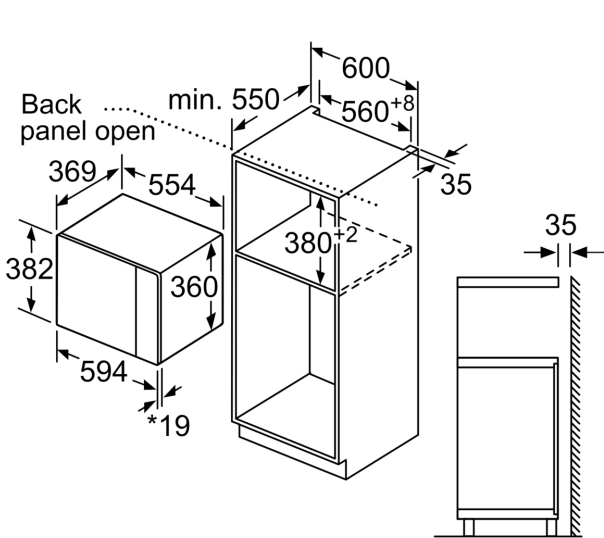


Measurements in mm



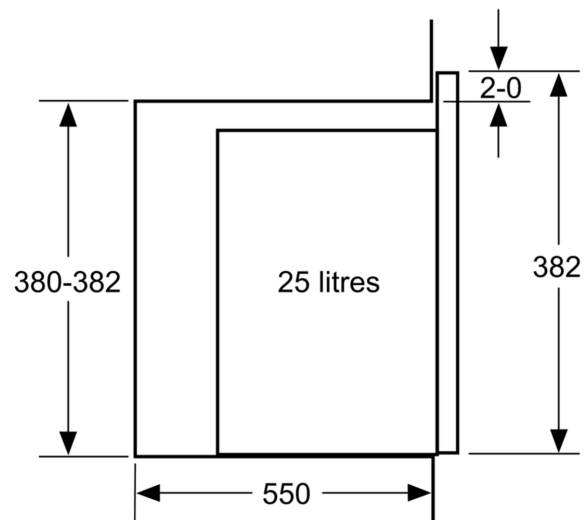
* 20 mm for
metal fascia

measurements in mm



* 20 mm for metal fascia

measurements in mm



measurements in mm