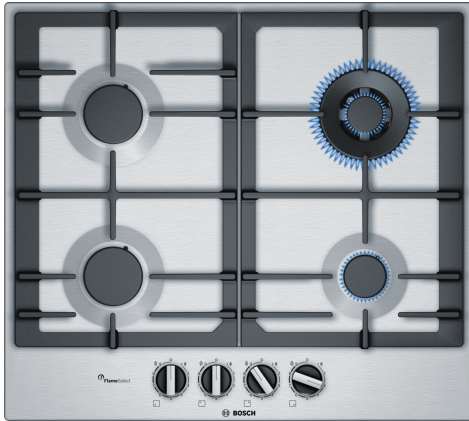


**Series 6, Gas hob, 60 cm, Stainless steel**  
**PCH6A5B96**



- HEZ211310 Simmer cap
- HEZ298105 Simmer plate
- HEZ298108 Wok ring
- HEZ298115 Small pot support

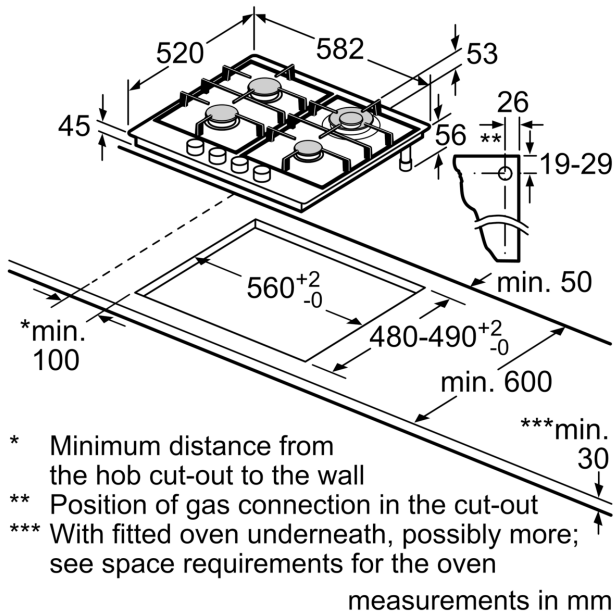
**The stainless-steel gas hob with FlameSelect: achieve perfect cooking results thanks to nine precisely defined power levels.**

- **FlameSelect:** adjust the gas flame precisely using nine defined levels.
- **Wok burner:** powerful cooking at up to 3.5 kW (depending on gas type).
- **Continuous cast-iron pan support:** for high firmness and stability of cookware.
- **Biomethane-ready:** your gas hob can also be powered with renewable biomethane gas.
- **Sword knobs:** for an ergonomic control.

Product name/family: ..... gas hob w integrated controls  
 Built-in / Free-standing: ..... Built-in  
 Energy input: ..... Gas  
 Total number of positions that can be used at the same time: ..... 4  
 Type of control setting devices: ..... sword knobs  
 Min. required niche size for installation (HxWxD): ..... 45 x 560-562 x 480-492 mm  
 Width of the appliance: ..... 582 mm  
 Dimensions: ..... 53 x 582 x 520 mm  
 Dimensions of the packed product (HxWxD): ..... 141 x 651 x 578 mm  
 Net weight: ..... 11.4 kg  
 Gross weight: ..... 12.3 kg  
 Residual heat indicator: ..... No  
 Location of control panel: ..... Front  
 Basic surface material: ..... Stainless steel  
 Color of surface: ..... Stainless steel  
 Length electrical supply cord: ..... 100.0 cm  
 Knob Material: ..... Plastic  
 Sealed Burners: ..... No  
 Type of pan support: ..... Elongated cast iron pan support  
 Power of heating element (kW): ..... 1.75 kW  
 Power of 3rd heating element (kW): ..... 1.75 kW  
 Power of 5th heating element (kW): ..... 3.5 kW  
 Connection rating: ..... 1 W  
 Gas connection rating: ..... 8000 W  
 Fuse protection: ..... 3 A  
 Voltage: ..... 220-240 V  
 Frequency: ..... 50; 60 Hz  
 Energy input: ..... Gas  
 Gas type: ..... Nat gas H/E/(L) 20 (25) mbar  
 Alternative gas type: ..... Liquid gas G30,31 28-30/37mbar  
 Plug type: ..... No plug (electrical connection by electrician)  
 Appliance Dimensions (h x w x d) (in): ..... x x  
 Dimensions of the packed product: ..... 5.55 x 22.75 x 25.62  
 Net weight: ..... 25.000 lbs  
 Gross weight: ..... 27.000 lbs  
 Total number of positions that can be used at the same time: ..... 4  
 Length electrical supply cord: ..... 100.0 cm  
 Min. required niche size for installation (HxWxD): ..... 45 x 560-562 x 480-492 mm  
 Dimensions: ..... 53 x 582 x 520 mm  
 Dimensions of the packed product (HxWxD): ..... 141 x 651 x 578 mm  
 Net weight: ..... 11.4 kg  
 Gross weight: ..... 12.3 kg



**Series 6, Gas hob, 60 cm, Stainless steel**  
**PCH6A5B96**



- \* Minimum distance from the hob cut-out to the wall
- \*\* Position of gas connection in the cut-out
- \*\*\* With fitted oven underneath, possibly more; see space requirements for the oven