

**Series 4, built-in fridge-freezer with freezer at bottom, 177.2 x 54.1 cm, sliding hinge
KIN86VSE0**



KSZB6R00 Bottle Rack
KSZGGM00 Butter box

- **LED lighting:** keep your groceries in perfect view.
- **NoFrost:** never defrost again, thanks to perfect protection from ice formation - that saves time and effort.

Energy Efficiency Class (Regulation (EU) 2017/1369): E
Average annual energy consumption in kilowatt hour per year (kWh/a) (EU) 2017/1369: 234 kWh/annum
Sum of volume of frozen compartments (EU 2017/1369): 76 l
Sum of volume of chill- and unfrozen compartments (EU 2017/1369): 184 l
Airborne acoustical noise emissions (EU 2017/1369): 35 dB(A) re 1 pW
Airborne acoustical noise emission class (EU 2017/1369): B
Built-in / Free-standing: Built-in
Number of compressors: 1
Number of independent cooling systems: 1
Width of the appliance: 541 mm
Height: 1772 mm
Depth of the product: 548 mm
Net weight: 52.5 kg
Min. required niche size for installation (HxWxD): 1775.0 x 560 x 550 mm
Door panel options: Not possible
Door hinge: Right reversible
Number of Adjustable Shelves in fridge compartment: 3
Shelves for Bottles: Yes
Frost free system: Fridge
Interior ventilator: No
Reversible Door Hinge: Yes
Length electrical supply cord: 230.0 cm
Noise level: 35 dB(A) re 1 pW
Multi-Flow Air Tower: No
Fast cooling switch: No
Fast freezing switch: Yes
Temperature Controlled Drawer: No
Humidity Control Drawer: No
Number of Door Bins - Refrigerator: 3
Door bin adjustability - Refrigerator: Yes
Tilt-out door bins in fridge: Yes
Gallon wide door bins: Yes
Number of Gallon storage: 1
Motorized Shelf: No
Material of the shelves: Safety glass
Door opened indicator freezer: No
Automatic motor-driven ice-maker: No
Fuse protection: 10 A
Voltage: 220-240 V
Frequency: 50 Hz
Storage Period in Event of Power Failure (h): 10 h
Door panel options: Not possible
Noise level: 35 dB(A) re 1 pW
Energy Star Qualified: No
Plug type: GARDY plug w/ earthing
Required cutout/niche size for installation (in): x
Dimensions of the packed product: 72.45 x 24.01 x 25.19
Net weight: 116.000 lbs
Gross weight: 126.000 lbs



Series 4, built-in fridge-freezer with freezer at bottom, 177.2 x 54.1 cm, sliding hinge KIN86VSE0

- easy Installation

Performance and consumption

- EU19_EEK_D: E
- Total Volume : 260 l
- Net Fridge Volume : 184 l
- Net Freezer Volume : 76 l
- Freezing capacity 24h : 4 kg
- Annual Energy Consumption: 234 kWh/a
- Climate Class: SN-ST
- yes
- Noise Level : 35 dB
- Temperature rise time : 10 H

Design and Styling

- LED interior light in fridge section

Convenience & Safety

- LED electronic control
- Super Cooling: No
- Super Freezing: manual activation
- Optical and acoustic door open warning system

Fridge Compartment

- 4 safety glass shelves, of which 3 are height adjustable
- 1 door trays
- 3 door bins

Freshness System

Freezer Section

- NoFrost - never again defrosting!
- 3 transparent freezer drawers

Dimensions

- Dimensions (H x W x D): 177.2 cm x 54.1 cm x 54.8 cm
- Niche Dimension (H x W x D): 177.5 cm x 56.0 cm x 55.0 cm

Technical Information

- Door right hinged, reversible
- Nominal voltage: 220 - 240 V

Accessories

- egg tray
- ice cube tray

Country Specific Options

- Based on the results of the standard 24-hour test. Actual consumption depends on usage/position of the appliance.

Environment and Safety

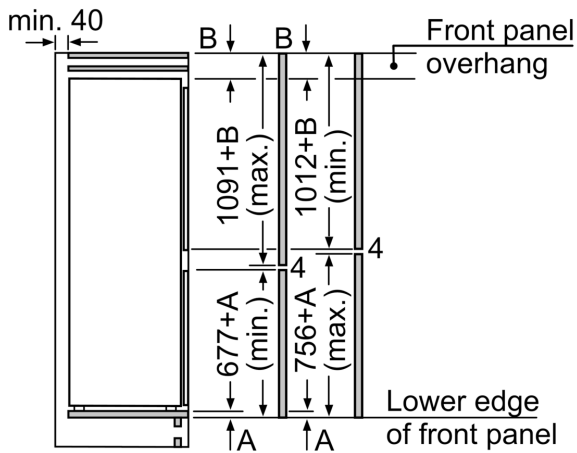
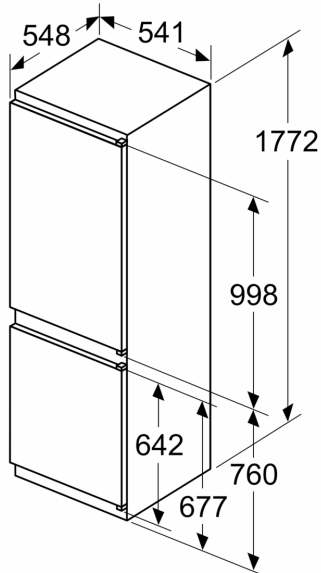
Installation

General Information

- Net 4* compartment volume : 76 l

**Series 4, built-in fridge-freezer with
freezer at bottom, 177.2 x 54.1 cm,
sliding hinge
KIN86VSE0**

measurements in mm



The specified unit door dimensions are valid for a door gap of 4 mm.

measurements in mm

