

**Serie | 8, Built-in oven, 60 x 60 cm,  
Black  
HBG633NB1**



**A+**



**Included accessories**

- 1 x combination grid
- 1 x universal pan

- **4D hotair:** even heat distribution for perfect results – on any level.
- **TFT-touchdisplay:** easy-to-use thanks to the control ring with clear text and symbols.
- **EcoClean Direct:** less cleaning effort thanks to a special coating of the rear wall that automatically absorbs grime.
- **Flap door with SoftOpen and SoftClose:** the oven door opens and closes especially gently and quietly.
- **1-stage telescoping rails, fully extendable:** for safe, easy insertion and removal of baking trays.

**Technical Data**

Color / Material Front : Black  
 Built-in / Free-standing : Built-in  
 Integrated Cleaning system : Catalytic partial, Hydrolytic  
 Required niche size for installation (HxWxD) : 585-595 x 560-568 x 550 mm  
 Dimensions : 595 x 594 x 548 mm  
 Dimensions of the packed product (HxWxD) : 670 x 680 x 670 mm  
 Control Panel Material : Glass  
 Door Material : Glass  
 Net weight : 34.834 kg  
 Usable volume of cavity : 71 l  
 Heating modes : 4D hotair, Bottom heat, Conventional heat, Defrost, Full width grill, Half width grill, Hot Air-Eco, Hot air grilling, Pizza setting  
 Number of interior lights : 1  
 Approval certificates : CE, VDE  
 Length electrical supply cord : 120 cm  
 Interior Lights - cavity 1 : 1  
 Pull-out system : 1-level  
 Clock function : Alarm, Off, On  
 Included accessories : 1 x combination grid, 1 x universal pan  
 Broil Element Wattages cavity 1 : 2800 W  
 Convection Element Wattages cavity 1 : 2200 W  
 Energy efficiency rating : A+  
 Energy consumption per cycle conventional (2010/30/EC) : 0.87 kWh/cycle  
 Energy consumption per cycle forced air convection (2010/30/EC) : 0.69 kWh/cycle  
 Energy efficiency index (2010/30/EC) : 81.2 %  
 Connection Rating : 3600 W  
 Fuse protection : 16 A  
 Voltage : 220-240 V  
 Frequency : 60; 50 Hz  
 Plug type : Gardy plug w/ earthing  
 Color / Material Front : Black  
 Alternative colors available : HBG633NS1, HBG633NW1  
 Energy input : Electric  
 Approval certificates : CE, VDE  
 Required cutout/niche size for installation (in) : x x  
 Dimensions of the packed product : 26.37 x 26.37 x 26.77  
 Net weight : 77.000 lbs  
 Gross weight : 82.000 lbs  
 Length electrical supply cord : 120 cm  
 Net weight : 34.834 kg  
 Gross weight : 37.2 kg



## Serie | 8, Built-in oven, 60 x 60 cm, Black HBG633NB1

### Type of oven / heating system:

- Oven with 10 heating methods: 4D hotair, Hotair Eco,, Conventional heat, Conventional heat ECO, Hot air grilling, Full width grill, Half width grill, Pizza setting, Bottom heat, Defrost
- Temperature range 30 °C - 300 °C
- Cavity volume: 71 l

### Hook-in racks / rails

- Number of shelf levels: 5 PC
- 1 level telescopic shelf, full extension, with Stop function

### Design:

- Rotary swivel

### Cleaning:

- EcoClean Direct: coating of back panel

### Comfort:

- 2,5"-TFT-color and text display with touch-control buttons
- Electronic clock
- Temperature proposal
  - Actual temperature display
  - Heating-up control
  - Sabbath setting
- Oven door with SoftOpen and SoftClose, Drop down door
- Bar handle
- Rapid heating-up
- Halogen interior lighting, Switch for oven illumination
- Integral cooling fan

### Accessory:

- universal pan, combination grid

### Environment and Safety:

- low door temperature
- Child lock
  - Automatic switch off
  - Residual heat indicator
  - Start-/Stop button
  - Door contact switch

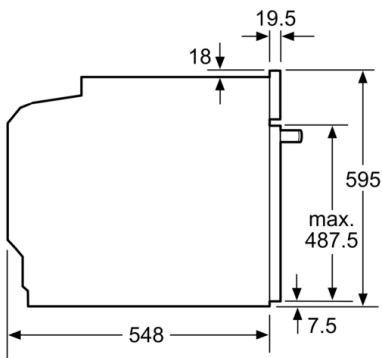
### Technical Information

- Length of mains cable: 120 cm
- Nominal voltage: 220 - 240 V
- Total connected load electric: 3.6 KW
- Energy efficiency rating (acc. EU Nr. 65/2014): A+ (at a range of energy efficiency classes from A+++ to D)
  - Energy consumption per cycle in conventional mode: 0.87 kWh
  - Energy consumption per cycle in fan-forced convection mode: 0.69 kWh
  - Number of cavities: 1
  - Heat source: electrical
  - Cavity volume: 71 l

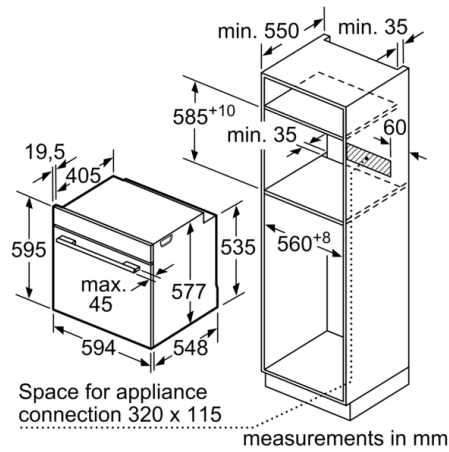
### Dimensions:

- Appliance dimension (hxwxh): 595 mm x 594 mm x 548 mm
- Niche dimension (hxwxh): 585 mm - 595 mm x 560 mm - 568 mm x 550 mm
- "Please reference the built-in dimensions provided in the installation drawing"
- We recommend you to choose complementary products within Series 8, in order to assure an optimal design combination of your Built-In appliances.

**Serie | 8, Built-in oven, 60 x 60 cm, Black  
HBG633NB1**



measurements in mm

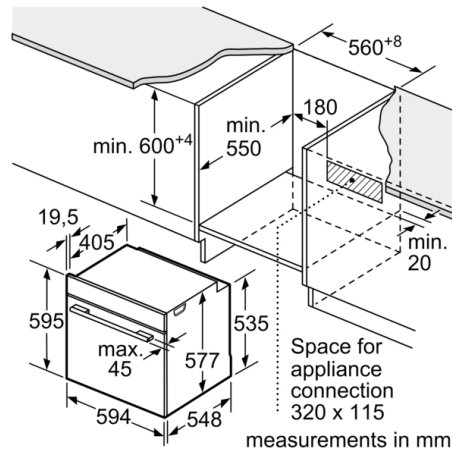


Space for appliance connection 320 x 115

measurements in mm

If the appliance will be installed underneath a hob, the following worktop thicknesses (including substructure if necessary) must be taken into account.

Hob type	min. worktop thickness	
	fitted	flush
Induction hob	37 mm	38 mm
Full surface Induction hob	47 mm	48 mm
Gas hob	30 mm	38 mm
Electric hob	27 mm	30 mm



measurements in mm