

**Series 2, Built-in oven, 60 x 60 cm,
Black
HBF011BA0**



The built-in oven with 3D hotair: achieve perfect baking and roasting results on up to three levels simultaneously.

Gross weight: 33.6 kg
 Built-in / Free-standing: Built-in
 Integrated Cleaning system: No
 Min. required niche size for installation (HxWxD): 575-597 x 560-568 x 550 mm
 Dimensions: 595 x 594 x 548 mm
 Dimensions of the packed product (HxWxD): 670 x 653 x 673 mm
 Control Panel Material: metal lacquered
 Door Material: Glass
 Net weight: 31.5 kg
 Usable volume of cavity: 66 l
 Heating modes: Hotair gentle, Hot Air, Conventional heat, Hot air grilling, Full width variable grill
 Number of interior lights: 1
 Length electrical supply cord: 120.0 cm
 Interior Lights - cavity 1: 1
 Pull-out system: Accessory
 Included accessories: 1 x combination grid, 1 x universal pan
 Broil Element Wattages cavity 1: 2800 W
 Energy efficiency rating: A
 Energy consumption per cycle conventional (2010/30/EC): 0.98 kWh/cycle
 Energy consumption per cycle forced air convection (2010/30/EC): 0.79 kWh/cycle
 Energy efficiency index (2010/30/EC): 95.2 %
 Connection rating: 2990 W
 Fuse protection: 16 A
 Voltage: 220-240 V
 Frequency: 50; 60 Hz
 Plug type: GARDY plug w/ earthing
 Energy input: Electric
 Required cutout/niche size for installation (in): x
 Dimensions of the packed product: 26.37 x 25.70 x 26.49
 Net weight: 69.000 lbs
 Gross weight: 74.000 lbs
 Length electrical supply cord: 120.0 cm
 Net weight: 31.5 kg

1 x combination grid, 1 x universal pan

- HEZ317000 Pizza pan, enamelled
- HEZ327000 Pizza stone
- HEZ333001 Lid for professional pan
- HEZ431002 Baking tray, enamelled
- HEZ438201 2 level telescopic shelf rails
- HEZ438301 3 level telescopic shelf rails
- HEZ625071 Grill tray, anthracite
- HEZ915003 Glass roasting dish, 5,4 L



Series 2, Built-in oven, 60 x 60 cm, Black HBF011BA0

The built-in oven with 3D hotair: achieve perfect baking and roasting results on up to three levels simultaneously.

Type of oven / heating system:

- Oven with 5 heating methods: 3D hotair, Conventional heat, Hot air grilling, Hotair gentle, Full width variable grill
- Temperature range 50 °C - 270 °C
- Cavity volume: 66 l

Hook-in racks / rails

- Number of shelf levels: 5 PC
- Accessory

Design:

- Rotary Control
- Extra large capacity oven with grey enamel

Cleaning:

- Full glass inner door

Comfort:

- Mechanical timer
- Bar handle
- Rapid heating-up
- Halogen interior lighting
- Integral cooling fan

Accessory:

- combination grid, universal pan

Environment and Safety:

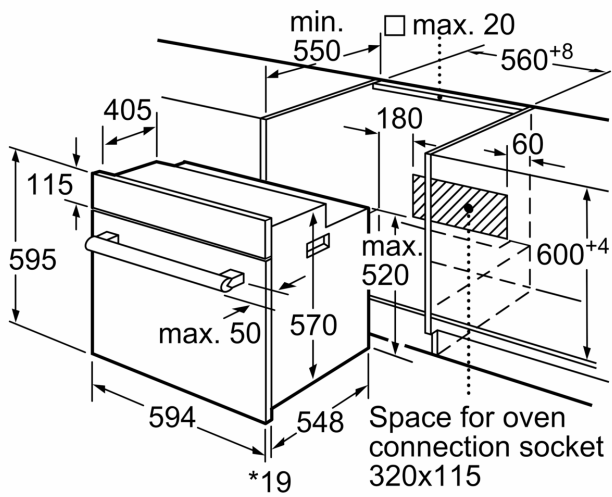
Technical Information

- Length of mains cable: 120 cm
- Nominal voltage: 220 - 240 V
- Total connected load electric: 2.99 KW
- Energy efficiency rating (acc. EU Nr. 65/2014): A(at a range of energy efficiency classes from A+++ to D)
- Energy consumption per cycle in conventional mode:0.98 kWh
- Energy consumption per cycle in fan-forced convection mode:0.79 kWh
- Number of cavities: 1 Heat source: electrical Cavity volume:66 l

Dimensions:

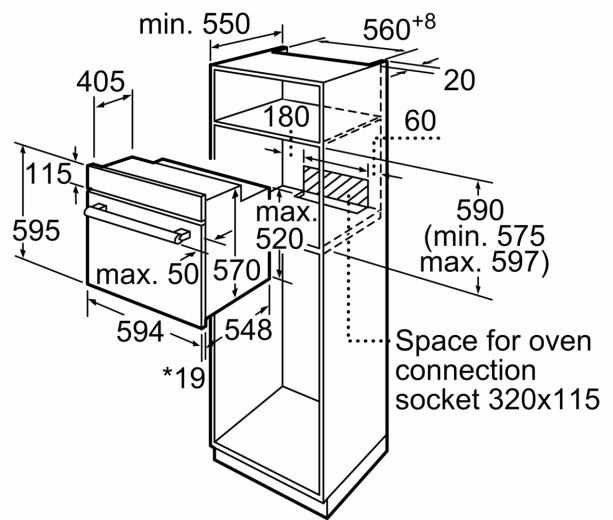
- Appliance dimension (hxwx): 595 mm x 594 mm x 548 mm
- Niche dimension (hxwx): 575 mm - 597 mm x 560 mm - 568 mm x 550 mm
- "Please reference the built-in dimensions provided in the installation drawing"

**Series 2, Built-in oven, 60 x 60 cm,
Black
HBF011BA0**



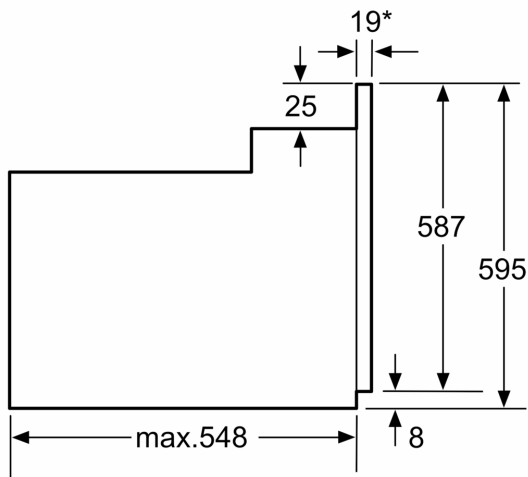
* 20 mm for metal fascias

measurements in mm



* 20 mm for metal fascias

measurements in mm



* 20 mm for metal fascias

Dimensions in mm