

**Serie | 6, built-in freezer, 177.2 x 55.8 cm, flat hinge
GIN81AEF0**



The NoFrost freezer with electronic temperature control: set the target temperature precisely and easily.

- **VarioZone:** more flexibility due to variable-use glass shelves and drawers in the freezer compartment.
- **Automatic Super Freezing function:** optimal for freezing smaller food load faster whilst protecting your frozen items from defrosting, thanks to the detection of temperature increase and the automatic decrease of temperature
- **NoFrost:** never defrost again, thanks to perfect protection from ice formation - that saves time and effort.
- **BigBox frozen food drawer:** for stacking storage containers or for large frozen food items.
- VariolInverter works by adjusting to the changes in temperatures
- inside and outside the refrigerator and the load within and provides optimal performance* during voltage fluctuations.

Technical Data

Energy Efficiency Class (Regulation (EU) 2017/1369): F
 Average annual energy consumption in kilowatt hour per year (kWh/a) (EU) 2017/1369: 294 kWh/annum
 Sum of volume of frozen compartments (EU 2017/1369): 212 l
 Airborne acoustical noise emissions (EU 2017/1369): 36 dB(A) re 1 pW
 Airborne acoustical noise emission class (EU 2017/1369): C
 Product category: Upright freezer
 Built-in / Free-standing: Built-in
 Frost free system: Fridge and freezer
 Climate class: SN-T
 Door panel options: Not possible
 Width of the appliance: 558 mm
 Depth of the product: 545 mm
 Dimensions of the packed product (HxWxD): 1840 x 640 x 610 mm
 Warning signal / malfunction: visual and audible
 Cover door installation system: Fixed-mounted
 Number of drawers/baskets (Stck): 5
 Number of freezing flaps (Stck): 2
 Lockable door: No
 Thermometer freeze section: Digital
 Light: No
 Length electrical supply cord: 230 cm
 Door hinge: Left reversible
 Net weight: 65.1 kg
 Gross weight: 70.3 kg
 Multi-Flow Air Tower: No
 Number of compressors: 1
 Number of independent cooling systems: 1
 Economy setting: No
 Fast freezing switch: Yes
 Door bin adjustability - Freezer: No
 Tilt-out door bins in freezer: No
 Number of shelves - Freezer: 0
 Door bin adjustability - Freezer: No
 Shelf Material - Freezer: Safety glass
 Reversible Door Hinge: Yes
 Connection Rating: 120 W
 Fuse protection: 10 A
 Frequency: 50 Hz
 Approval certificates: CE, Morocco, VDE
 Main colour of product: N/A
 Door panel options: Not possible
 Installation typology: Full-integrated
 Noise level: 36 dB(A) re 1 pW
 Energy Star Qualified: No
 Approval certificates: CE, Morocco, VDE

Included accessories

1 x ice cube tray

**Serie | 6, built-in freezer, 177.2 x 55.8 cm,
flat hinge
GIN81AEF0**

**The NoFrost freezer with electronic
temperature control: set the target
temperature precisely and easily.**

Performance and consumption

Convenience & Safety

- NoFrost - never again defrosting!
- Flat hinge
- 7 segment electronic control
- 1 compressor/1 cold circuit
- Super Freezing: Manual/automatic activation
- FreshSense - constant temperature by intelligent sensor technology
- Acoustic Warning System, Warning System by temperature increase

Freezer Section

- 5 transparent freezer drawers, incl. 2 x big box

Technical Information

- Door left hinged, reversible
- Connected load: 120 W
- Nominal voltage: 220 - 240 V

Dimensions

- Niche Dimension (H x W x D): 177.5 cm x 56.0 cm x 55.0 cm
- Dimensions (H x W x D): 177.2 cm x 55.8 cm x 54.5 cm

Accessories

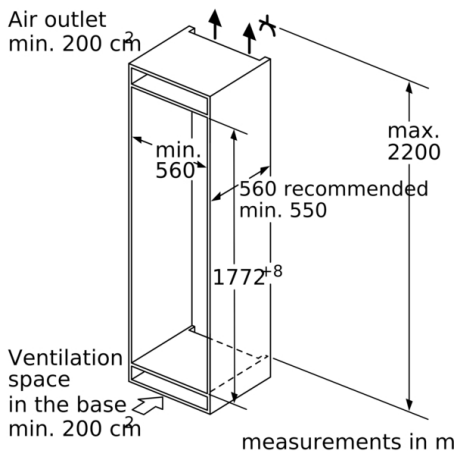
- ice cube tray

Country Specific Options

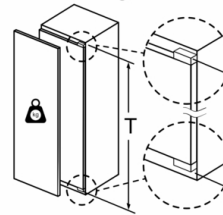
- Based on the results of the standard 24-hour test. Actual consumption depends on usage/position of the appliance.

General Information

**Serie | 6, built-in freezer, 177.2 x 55.8 cm,
flat hinge
GIN81AEF0**

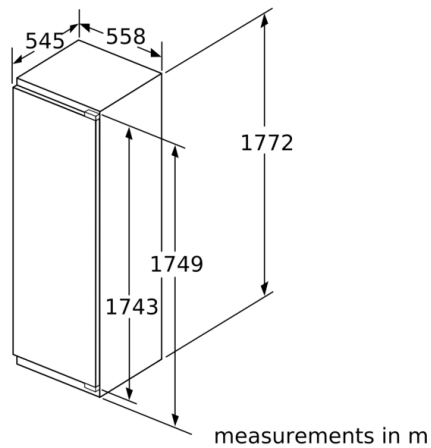
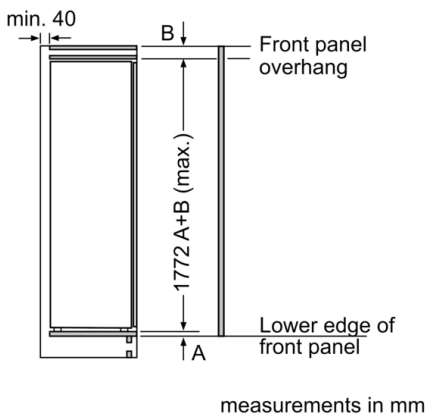


Maximal permissible weight of the unit fronts

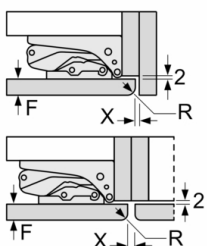


Fitted kitchen unit doors that exceed the permissible weight may cause damage and result in functional impairment of the hinges.

T: Includes height of appliance door	undamped hinge, Door in kg:	damped hinge, Door in kg:
Hinges in mm: 1500-1750	22	22

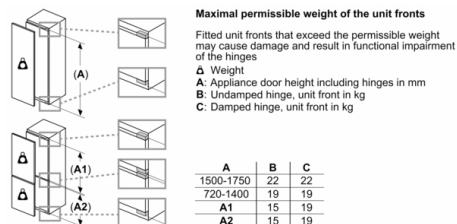


**measurements in mm
Recommended gap dimensions for flat hinges**



F	R	X
16-19	0-3	2.5
20	0-1	3
	2-3	2.5
21	0-1	3
	2-3	2.5
22	0	4
	1	3.5
	2-3	3

The gap dimensions recommended in the table must be adhered to in order to ensure that appliance doors do not collide with anything when they are opened, and to avoid causing damage to kitchen units.



Maximal permissible weight of the unit fronts

Fitted unit fronts that exceed the permissible weight may cause damage and result in functional impairment of the hinges

Δ Weight
A: Appliance door height including hinges in mm
B: Undamped hinge, unit front in kg
C: Damped hinge, unit front in kg

A	B	C
1500-1750	22	22
720-1400	19	19
A1	15	19
A2	15	19

**Serie | 6, built-in freezer, 177.2 x 55.8 cm,
flat hinge
GIN81AEF0**

