

**Series 4, wall-mounted cooker hood,
80 cm, clear glass black printed
DWK87CM60**



B



**Inclined hood: optimal for keeping an eye
on your pots and pans.**

- **especially silent:** maximal extractor performance with minimal noise
- **Easy-to-clean interior:** hidden screws and cables along with rounded edges make cleaning easy.
- **TouchSelect control:** quick touch-control selection of desired settings and light.
- **Intensive speed setting:** removes strong kitchen odours especially quickly and effectively.

- DWZ0AX5K0 Chimney extension 1000 mm
- DWZ0AX5L0 Chimney extension 1500 mm
- DWZ1AK1B6 Clean Air Plus odor filter (replacement)
- DWZ1AK1I6 Clean Air Plus recirculation kit
- DWZ1AK1V6 Clean Air Plus recirc. kit (chimless)
- DWZ1AX5C6 Clean Air Plus recirc. kit external
- DWZ0AK0R0 Long Life recirculation kit (chimless)
- DWZ0AK0S0 Long Life recirculation kit
- DWZ1AX6E1 Chimney standard black
- DZZ0XX0P0 Long Life odor filter (replacement)
- DZZ1XX1B6 Clean Air Plus odor filter (replacement)
- HEZG9AS00S Adapter

Typology:Wall-mounted
 Length electrical supply cord: 130.0 cm
 Height of product, without chimney: 323 mm
 Net weight:21.1 kg
 Type of control:Electronic
 Number of speed settings: 3-stages + intensive setting
 Max. air extraction: 416 m³/h
 Boost position output recirculating:469 m³/h
 Max. air recirculation: 367 m³/h
 Boost position air extraction: 700 m³/h
 Number of lights: 2
 Noise level:58 dB(A) re 1 pW
 Diameter of air outlet: 120 / 150 mm
 Grease filter material:Washable aluminium
 Odour filter:
 Operating Mode:Exhaust / Recirculation (Accessory available separately)
 Optional accessories: DWZ0AX5K0, DWZ0AX5L0, DWZ1AK1B6, DWZ1AK1I6, DWZ1AK1V6, DWZ1AX5C6, DWZ0AK0R0, DWZ0AK0S0, DWZ1AX6E1, DZZ0XX0P0, DZZ1XX1B6, HEZG9AS00S
 Type of lamps used: LED
 Grease filter type:Kassette
 Connection rating: 263 W
 Fuse protection:10 A
 Voltage: 220-240 V
 Frequency: 50; 60 Hz
 Plug type: Gardy plug w/ earthing
 Installation typology:Wall-mounted
 Material body:Glass, Lacquered
 Plug type: Gardy plug w/ earthing
 Dimensions of the product, with chimney (if exists) (in):x x
 Dimensions of the packed product: 27.16 x 29.13 x 40.94
 Net weight:47.000 lbs
 Gross weight: 66.000 lbs
 Motor location: Integrated motor in hood body
 No-return airflow flap: Yes
 Length electrical supply cord: 130.0 cm
 Dimensions of the product, with chimney (if exists):452 x 790.0 x 499.0 mm
 Dimensions of the packed product (HxWxD): ... 690 x 740 x 1040 mm
 Net weight:21.1 kg
 Gross weight: 29.8 kg



4 242005 172986

Series 4, wall-mounted cooker hood, 80 cm, clear glass black printed DWK87CM60

Inclined hood: optimal for keeping an eye on your pots and pans.

- Average Energy Consumption: 56.6 kWh/year
- Energy Efficiency Class: B (at a range of energy efficiency classes from A+++ to D)
- Blower Efficiency Class: B*
- Lighting Efficiency Class: B
- Grease Filtering Efficiency Class: C
- Noise min./max. Normal Level: 48/58 dB

Variant:

Design:

Technical information

Performance

Power:

Environment and safety:

Comfort:

Measures:

Technical information

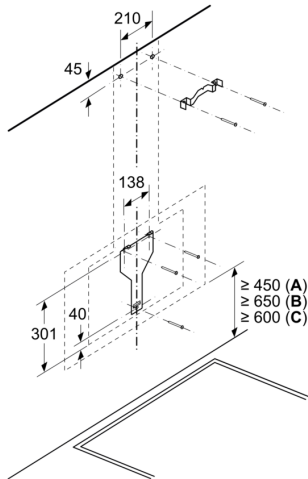
- Inclined Hood black
- 80 cm
- 79 cm Wall mounted chimney hood, black
- Glass plate: clear glass black printed
- Suitable for ducted or re-circulated extraction
- In recirculation operation chimless use possible
- For recirculated extraction a standard recirculation kit (accessory) is needed
- Wall mounted hood
- easy wall fixing system
- TouchControl (3 speeds plus intensive setting) with Electronic display
- 2 capture areas: front side and bottom side
- Automatic revert setting, 6 minutes
- easy to clean Innerframe
- Twin channel high performance fan motor
- Energy efficient capacitor motor
- 2 x 1,5 W LED
- Light Intensity: 90 lux
- Colour Temperature: 3500 K
- RimVentilation
- Filter cover glass
- Metal grease filter, dishwasher safe
- Extraction rate according to EN 61591 \varnothing 15 cm:
 - max. Normal use 416 m³/h
 - Intensive 700 m³/h
- Extraction rate exhaust air according to EN 61591 max. 700 m³/h
- Extraction rate according to EN 61591 \varnothing 15 cm:
 - max. Normal use 416 m³/h

- Intensive 700 m³/h
- Extraction rate exhaust air according to EN 61591:
 - max. normal use 416 m³/h, intensive 700 m³/h
- Noise level according to EN 60704-2-13 at max. normal use exhaust air: Noise, max. speed in normal use: 58 dB dB(A) re 1 pW
- Noise level according to EN 60704-2-13 exhaust air:
 - Max. normal use: 58 dB(A) re 1 pW
 - Intensive: 67 dB(A) re 1 pW
- Diameter pipe \varnothing 150 mm (\varnothing 120 mm enclosed)
- with one-way flap
- Max. extraction rate: 700 m³/h
- Power rating: 263 W
- Dimensions exhaust air (HxWxD): 928-1198 x 790 x 499 mm
- Dimensions recirculating, chimney (HxWxD): 988-1258 x 790 x 499 mm
- Dimensions recirculating, chimless (HxWxD): 452 mm x 790 x 499 mm

* In accordance with the EU-Regulation No 65/2014

**Series 4, wall-mounted cooker hood,
80 cm, clear glass black printed
DWK87CM60**

Measurements in mm

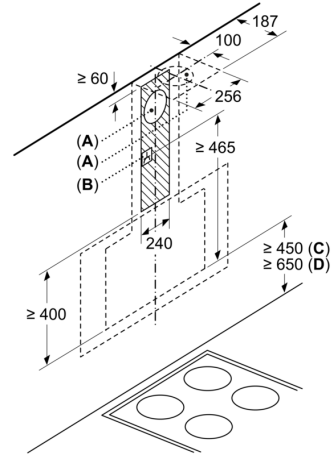


A: Electric

B: Gas - from upper edge of pan support

C: Electric - for Australia and New Zealand

Measurements in mm



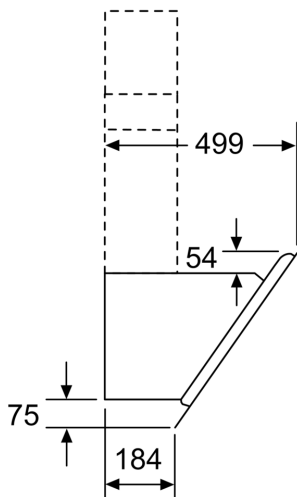
A: Exhaust air

B: Socket

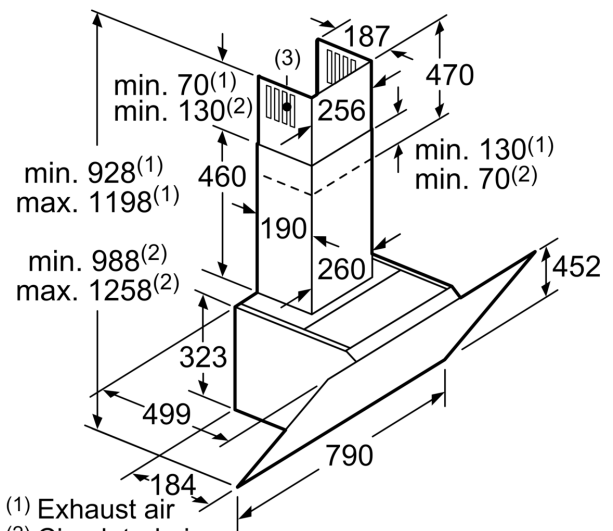
From upper edge of pan support

C: Electric

D: Gas



measurements in mm

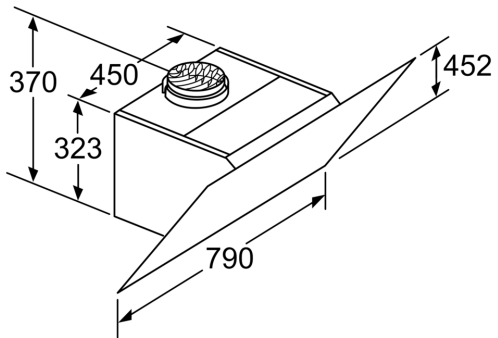


(1) Exhaust air

(2) Circulated air

(3) Air outlet – slot for exhaust air to be mounted facing down

measurements in mm



Appliance in circulated air mode
without duct
Circulated air set required

measurements in mm