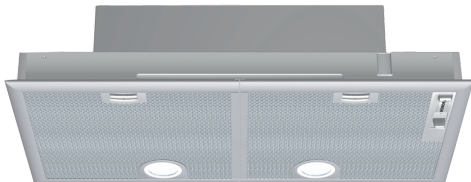


**Series 4, canopy cooker hood, 75 cm,
Silver metallic
DHL755BL**



DHZ7305 Standard odor filter
DHZ7402 Installation kit for canopy

The canopy cooker hood: offers you flexibility in your kitchen planning - mount it either on the wall or above a kitchen island.

- **especially silent:** maximal extractor performance with minimal noise
- **Intensive speed setting:** removes strong kitchen odours especially quickly and effectively.

Typology: Built-in/Built-under
 Length electrical supply cord: 130.0 cm
 Min. required niche size for installation (HxWxD): 255mm x 700.0mm x 350mm mm
 Net weight:8.1 kg
 Type of control:mechanical
 Number of speed settings: 3-stages + intensive setting
 Max. air extraction: 379 m³/h
 Boost position output recirculating:408.0 m³/h
 Max. air recirculation: 278 m³/h
 Boost position air extraction: 638 m³/h
 Number of lights: 2
 Noise level:56 dB(A) re 1 pW
 Diameter of air outlet: 120 / 150 mm
 Grease filter material:Washable aluminium
 Odour filter: No
 Operating Mode:Exhaust / Recirculation (Accessory available separately)
 Optional accessories:DHZ7305, DHZ7402
 Total power of the lamps: 6 W
 Grease filter type:Kassette
 Connection rating: 206 W
 Fuse protection:10 A
 Voltage: 220-240 V
 Frequency: 50 Hz
 Plug type: Gardy plug w/ earthing
 Installation typology: Built-in
 Material body: Lacquered
 Plug type: Gardy plug w/ earthing
 Dimensions of the product, with chimney (if exists) (in):x x
 Dimensions of the packed product: 11.41 x 30.70 x 17.32
 Net weight:18.000 lbs
 Gross weight: 20.000 lbs
 Motor location: Integrated motor in hood body
 No-return airflow flap: Yes
 Length electrical supply cord: 130.0 cm
 Dimensions of the product, with chimney (if exists):255 x 730.0 x 380.0 mm
 Dimensions of the packed product (HxWxD): 290 x 780 x 440 mm
 Net weight:8.1 kg
 Gross weight: 9.2 kg



Series 4, canopy cooker hood, 75 cm, Silver metallic DHL755BL

* In accordance with the EU-Regulation No 65/2014

The canopy cooker hood: offers you flexibility in your kitchen planning - mount it either on the wall or above a kitchen island.

-
- Energy Efficiency Class: C (at a range of energy efficiency classes from A+++ to D)
 - Average Energy Consumption: 81.2 kWh/year
 - Blower Efficiency Class: D*
 - Lighting Efficiency Class: A
 - Grease Filtering Efficiency Class: B
 - Noise min./max. Normal Level: 38/56 dB

Variant:

Design:

Technical information

Environment and safety:

Comfort:

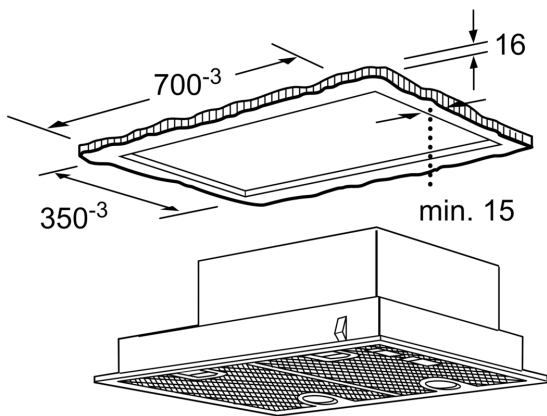
Measures:

- Canopy silver metallic
- Suitable for ducted or re-circulated extraction
- 2 x LED spot 2,15W (low volt)
- For recirculated extraction standard odor filter (accessory) needed
- For installation in a modified cupboard, above a hob
- Sliding switch control
- 3 speeds plus intensive setting
- Twin motor
- Dishwasher-safe metal grease filter with aluminium trim
- Light Intensity: 410 lux
- Colour Temperature: 3500 K
- Extraction rate exhaust air according to EN 61591:
 - max. normal use 379 m³/h, intensive 638 m³/h
- Noise level according to EN 60704-2-13 exhaust air:
 - Max. normal use: 56dB(A) re 1 pW
 - Intensive: 68 dB(A) re 1 pW
- Max. extraction rate: 638 m³/h
- Dimensions (HxWxD): 255 x 730 x 380 mm
- Built-in dimensions (HxWxD): 255 x 700 x 350 mm
- Power rating: 206 W
- 120 or 150 mm diameter pipe
- with one-way flap

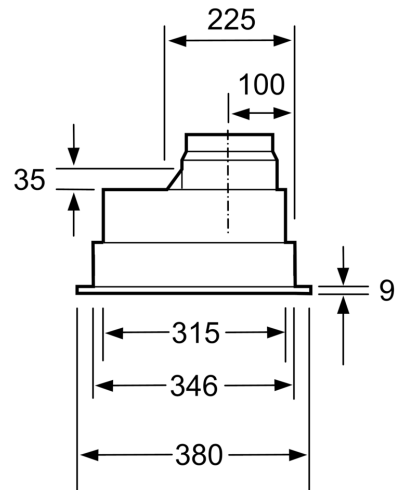
Technical information

- Extraction rate in recirculation mode:
 - Max. normal use: 278 m³/h
 - Intensive: 408 m³/h
- Noise levels in recirculation mode:
 - Max. normal use: 65dB(A) re 1 pW
 - Intensive: 72 dB(A) re 1 pW

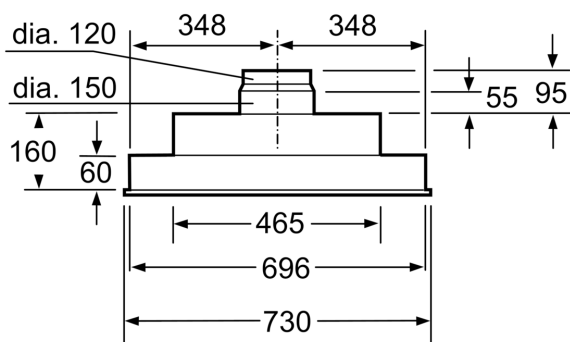
**Series 4, canopy cooker hood, 75 cm,
Silver metallic
DHL755BL**



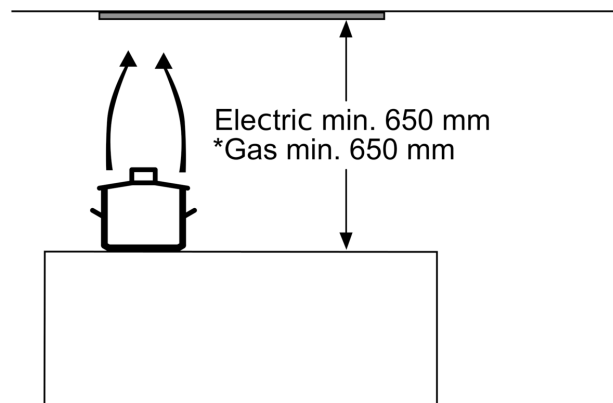
measurements in mm



measurements in mm



measurements in mm



* from upper edge of pan support

measurements in mm