

Series 4, telescopic cooker hood, 90 cm, Silver metallic DFS097A51



- DWZ2IT1I4 Clean Air Standard recirculation kit
- DWZ1IT1D1 Long Life recirculation kit external
- DWZ1IX1B6 Clean Air Plus odor filter (replacement)
- DWZ1IX1C6 Clean Air Plus recirc. kit external
- DWZ2IT1B4 Clean Air Standard odor filter (repl.)
- DSZ4920 Installation kit for 90cm wide wall unit
- DSZ4961 Lowering frame
- DSZ4982 Handle strip white
- DSZ4986 Handle strip black
- DWZ0IT0P0 Long Life odor filter (replacement)
- DSZ4561 Standard odor filter (replacement)
- DSZ4565 Standard recirculation kit

Telescopic cooker hood: barely visible integrated in the wall unit, this ensures a clear kitchen design.

- **Extra silent:** the high-performance hood, with minimal noise.
- **Eco Silence Drive:** the powerful, energy-saving drive for hoods.
- **Intensive speed setting:** removes strong kitchen odours especially quickly and effectively.

Typology: Pull-out
 Length electrical supply cord: 175.0 cm
 Min. required niche size for installation (HxWxD): 385mm x 524.0mm x 290mm mm
 Net weight: 13.1 kg
 Type of control:Electronic
 Number of speed settings: 3-stages + intensive setting
 Max. air extraction: 397 m³/h
 Boost position output recirculating: 628 m³/h
 Max. air recirculation: 358 m³/h
 Boost position air extraction: 729 m³/h
 Number of lights: 3
 Noise level: 53 dB(A) re 1 pW
 Diameter of air outlet: 120 / 150 mm
 Grease filter material: Washable stainless steel
 Odour filter: No
 Operating Mode: Exhaust / Recirculation (Accessory available separately)
 Optional accessories: DWZ2IT1I4, DWZ1IT1D1, DWZ1IX1B6, DWZ1IX1C6, DWZ2IT1B4, DSZ4920, DSZ4961, DSZ4982, DSZ4986, DWZ0IT0P0, DSZ4561, DSZ4565
 Type of lamps used: LED
 Total power of the lamps: 6 W
 Grease filter type:Kassette
 Connection rating: 146 W
 Fuse protection: 10 A
 Voltage: 220-240 V
 Frequency: 50; 60 Hz
 Plug type: Gardy plug w/ earthing
 Installation typology: Built-in
 Material body: zinc plated
 Plug type: Gardy plug w/ earthing
 Dimensions of the product, with chimney (if exists) (in):x x
 Dimensions of the packed product: 15.74 x 37.00 x 19.29
 Net weight: 29.000 lbs
 Gross weight: 35.000 lbs
 Motor location: Integrated motor in hood body
 No-return airflow flap: Yes
 Length electrical supply cord: 175.0 cm
 Dimensions of the product, with chimney (if exists):426 x 898.0 x 290.0 mm
 Dimensions of the packed product (HxWxD): 400 x 940 x 490 mm
 Net weight: 13.1 kg
 Gross weight: 16.0 kg
 Delay Shut off modes: 10 min



4 242005 232093

Series 4, telescopic cooker hood, 90 cm, Silver metallic DFS097A51

Telescopic cooker hood: barely visible integrated in the wall unit, this ensures a clear kitchen design.

Variant

- 90 cm wide
- 90 cm Slimline hood, silver metallic
- For installation in a special wall cupboard (60 or 90 cm)
- Suitable for ducted or re-circulated extraction
- For recirculated extraction standard recirculation kit or Clean Air Plus recirculation kit (accessory) needed

Design

Comfort

- Push button controls with Electronic display
- Electronic controls via Push button controls with Electronic display
- Electronic controls
- Push button controls (3 speeds plus intensive setting) with Electronic display
- Electronic controls
- Push button controls
- 3 speeds plus intensive setting
- Automatic revert setting, 6 minutes
- Automatic 10 minutes after running

Features

- 3 x 1,5 W LED
- Colour Temperature: 3500 K
- Light Intensity: 355 lux
- Stainless steel filter covers, dishwasher safe
- Metal grease filter, dishwasher safe

Performance

- Extraction rate exhaust air according to EN 61591 max. 729 m³/h
- Noise level according to EN 60704-2-13 at max. normal use exhaust air: Noise, max. speed in normal us: 53 dB dB(A) re 1 pW
- Noise min./max. Normal Level: 41/53 dB
- With the Clean Air Plus recirculation kit (available as optional accessory) your appliances reaches:
- Extraction rate in recirculation mode: Max. normal use:358m³/h
- Intensive:628m³/h
- Noise level in recirculation mode: Max. normal use:60dB(A) re 1 pW
- Intensive:71 dB(A) re 1 pW
- 2 high-performance blower, Efficient BLDC-technology
- Efficient BLDC-technology

Planning and installation information

- Telescopic comfort installat.
- Dimensions (HxWxD): 426 x 898 x 290 mm
- Built-in dimensions (HxWxD): 385 x 524 x 290 mm
- Diameter pipe Ø 150 mm (Ø 120 mm enclosed)
- with one-way flap
- Electrical cable length 1.75 m

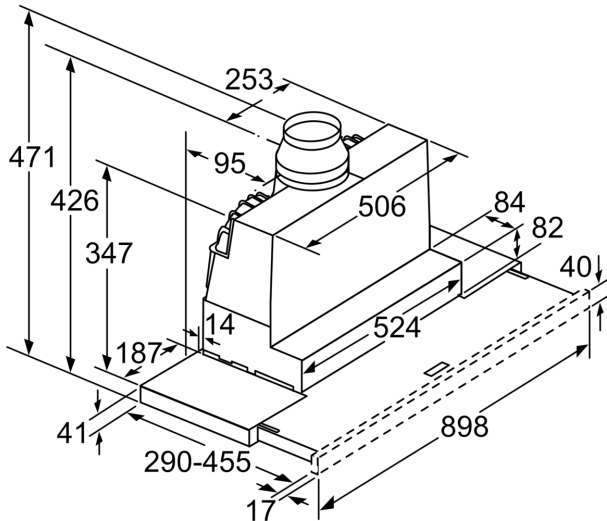
- Stainless steel handle included

Consumption Data

- Energy Efficiency Class: A (at a range of energy efficiency classes from A+++ to D)
- Average Energy Consumption: 38.1 kWh/year
- Blower Efficiency Class: B*
- Lighting Efficiency Class: A
- Grease Filtering Efficiency Class: B
- Power rating: 146 W

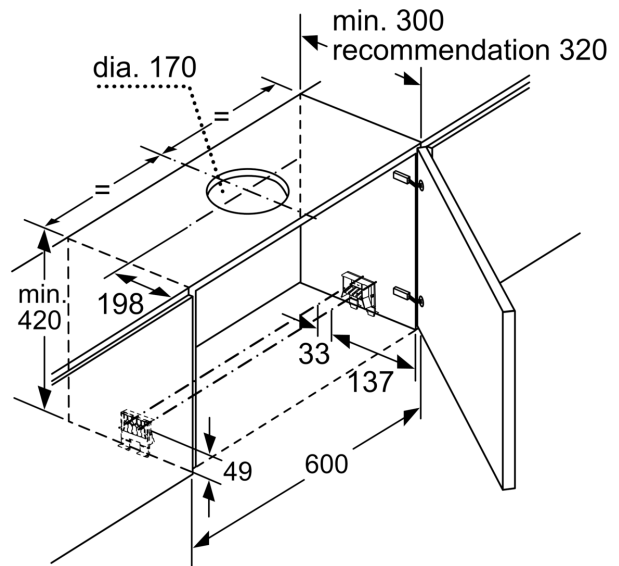
* In accordance with the EU-Regulation No 65/2014

Series 4, telescopic cooker hood, 90 cm, Silver metallic DFS097A51

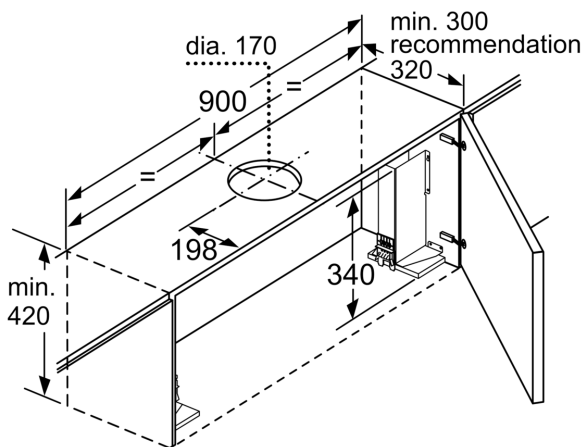


Depth of the filter drawer can be adjusted by up to 29 mm

measurements in mm

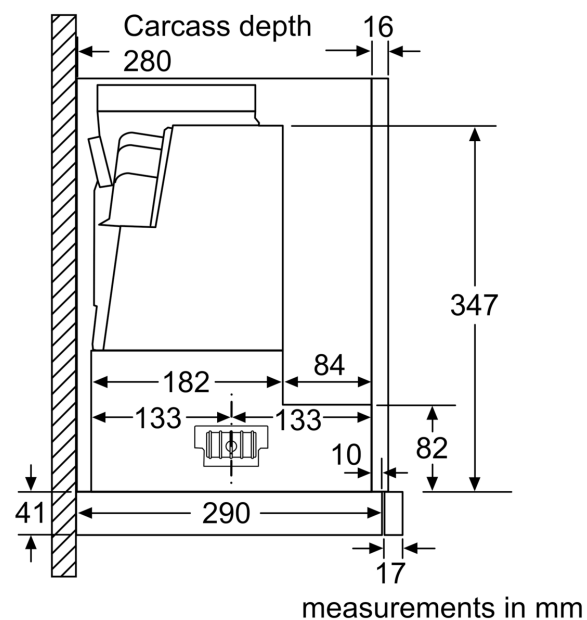


measurements in mm



When installing the 90 cm telescopic hood in a 90 cm wide wall-hanging cupboard, a mounting kit is required. The two mounting brackets are screwed onto the left and right of the kitchen unit. Installation in accordance with template.

measurements in mm



measurements in mm

