

**Serie | 4, Vented tumble dryer, 7 kg
WTA74201IN**



Have your dryer always running at maximum performance and peak efficiency with the SelfCleaning Condenser

- Sensitive Drying system saves energy and ensures that your laundry is dry and intact
- Duo-Tronic saves energy by automatically stopping the drying process once it's complete
- AntiVibration™ Design provides more stability and reduces vibration so noise is minimised
- **Display for time remaining:** you always know when your laundry will be dry.

Technical Data

Built-in / Free-standing :	Freestanding
Removable top :	No
Door hinge :	Right
Color / Material body :	White
Length electrical supply cord (cm) :	145.0
Height of removable worktop (mm) :	842
Dimensions of the product (mm) :	842 x 598 x 601
Net weight (kg) :	33.232
Drum volume (l) :	112
Connection Rating (W) :	2000
Current (A) :	10
Voltage (V) :	220-240
Frequency (Hz) :	50
Approval certificates :	CE, VDE
Drying process :	automatic
Capacity cotton (kg) - NEW (2010/30/EC) :	7.0



4 242002 958149

Serie | 4, Vented tumble dryer, 7 kg WTA74201IN

Have your dryer always running at maximum performance and peak efficiency with the SelfCleaning Condenser

- 7 kg, Vented dryer, White

Design

- Capacity: 7 kg
- Dryer type: Vented Dryer
- Energy efficiency class: NO_FEATURE
- Energy consumption 213.0 kWh per year, based on 160 drying cycles of the standard cotton programme at full and partial load, and the consumption of the low-power modes. Actual energy consumption per cycle will depend on how the appliance is used
- Energy consumption of the standard cotton programme at full load 1.71 kWh and energy consumption of the standard cotton programme at half load 1 kWh
- Energy consumption of 9kg cotton cupboard dry: 2.13 kWh
- Duration of left-on mode: 30 min
- The programme Cottons cupboard dry used at full and partial load is the standard drying programme to which the information in the label and the fiche relates, this programme is suitable for drying normal wet cotton laundry and is the most efficient programme in terms of energy consumption for cotton
- Weighted programme time of the standard cotton programme at full and partial load: NO_FEATURE.
- Programme time of the standard cotton programme at full load NO_FEATURE and programme time of the standard cotton programme at partial load NO_FEATURE.
- Noise level: 63 dB

Programmes

- Special programmes: Shirts (Business), Duvet, Pillow (Down), Outdoor, Towels, Hygiene, Super 40', Mixed Fabric, Woolen (Finish), Lingerie

Performance

- Anti crease cycle 120 minutes at the end of the programme
- touchControl buttons: start/pause, Gentle, Anti-crease, programme length, Fine-tuning of drying aim, 24 h Ready in

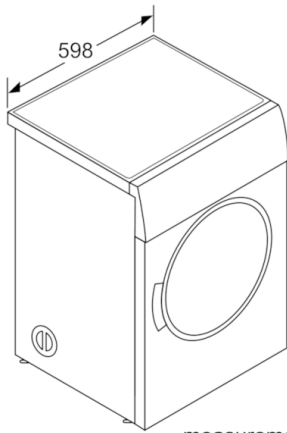
Key features

- Fully electronic
- Fully electronic control dial for sensor drying, including timed and special programmes
- LED Display for remaining time and 24 hours time delay, programme status indication, special functions
- Sensitive drying: Galvanised drum with textile care structure, soft design paddles
- Anti-Vibration Design: More stability and quietness
- Flexible exhaust-air duct
- Child-proof lock
- Buzzer at the end of the wash programme
- white
- Reload Function
- Door hinge: right-hand

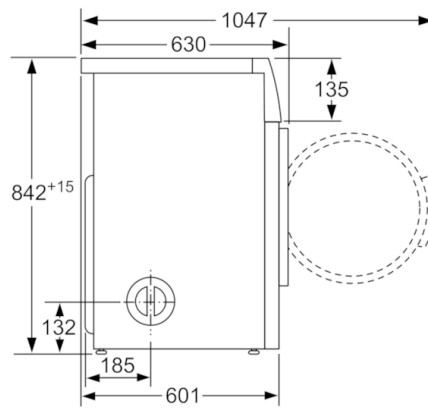
Technical Information

- Dimensions (H X W X D): 84.2 x 59.8 x 60.1 cm
- Noise level washing: 54 dB; Noise level spinning: 74 dB

**Serie | 4, Vented tumble dryer, 7 kg
WTA74201IN**



measurements in mm



measurements in mm