

Series 6, washing machine, front loader, 9 kg, 1400 rpm WGA244ASIN



WMZ2200 Floor securing component
 WMZ2381 Extension for cold water inlet /Aquastop

The smarter way to cleaner laundry is 100% accurate detergent-dosing everytime

- **i-DOS:** automatically measures the precise amount of detergent and water needed.
- **Anti Wrinkle feature** minimizes wrinkles in laundry by up to 50% making it gentler on fabric and easier to iron
- **Eco Silence Drive™:** the efficient and highly durable washing machine drive.
- **SpeedPerfect:** perfectly clean in up to 65% less time*.
- **Active Water Plus:** For highly efficient use of water even with smaller loads thanks to automatic load detection.

Built-in / Free-standing: Freestanding
 Door hinge: left
 Color / Material body: Silver
 Length electrical supply cord: 160.0 cm
 Height of the appliance: 848 mm
 Dimensions of the product: 848 x 598 x 590 mm
 Wheels: No
 Net weight: 75.2 kg
 Drum volume: 65 l
 Door Frame: Silver-black grey
 Color Buttons: black
 Noise level washing: 44 dB(A) re 1 pW
 Connection rating: 1900 W
 Fuse protection: 10 A
 Voltage: 220 V
 Frequency: 50 Hz
 Energy Star Qualified: No
 Cord Included: Yes
 Plug type: India plug (10 Ampere)
 Length of supply hose (in): 59.05 "
 Dimensions of the packed product: 35.03 x 26.57 x 27.95
 Net weight: 166.000 lbs
 Gross weight: 174.000 lbs
 Length of drain hose: 150.00 cm
 Length of supply hose: 150.00 cm
 Dimensions of the packed product (HxWxD): 890 x 675 x 710 mm
 Gross weight: 79.0 kg
 Connection rating: 1900 W
 Fuse protection: 10 A
 Voltage: 220 V
 Frequency: 50 Hz
 Water protection system: Multiple water protection
 Max. spin speed: 1400 rpm
 Spin speed options: Variable
 Digital countdown indicator: Yes
 Drying progress indicator: LED-display
 Maximum capacity in kg (EU 2017/1369): 9.0 kg



Series 6, washing machine, front loader, 9 kg, 1400 rpm WGA244ASIN

The smarter way to cleaner laundry is 100% accurate detergent-dosing everytime

Technical Information

- Capacity: 9kg
- Maximum spin speed : 1400 rpm
- Dimensions (H x W x D): 84.8 cm x 59.8 cm x 59.0 cm
- 32 cm porthole, 165° swing door
- Drum volume: 65L

Programmes

- Cottons, Cottons 60°C Label, Synthetics, Mix Load, Delicates/Silk, Wool, Drum Clean, Rinse, Spin/Drain, Quilt/Blanket, Sportswear, Allergy Plus, Quick 15/30 min, Automatic 40

Features

- EcoSilence Drive™ friction-free motor minimises heat and wear for long-lasting performance, quiet operation and perfect wash results.
- VarioPerfect™: high performance programmes which allow you to clean your laundry with 20% less energy or reduce cleaning time by 65%
- ActiveWater™ Plus: Pressure and water sensor that measures the washing load and adjusts water intake to 256 precise levels for more cost and water savings
- SpeedPerfect helps reduce washing time by up to 65%
- Reload function to pause machine operation for adding in last minute laundry items
- AllergyPlus effectively reduces allergenic residue such as pollen, animal hair, and dust mites at the touch of a button and is suitable for those with sensitive, irritable skin
- VarioDrum's breakthrough wave-droplet design provides a thorough yet gentle clean for fine textiles
- Anti-Vibration Side Panels reduce vibrations and ensure greater stability during the washing and spinning process
- Buzzer at the end of the wash programme

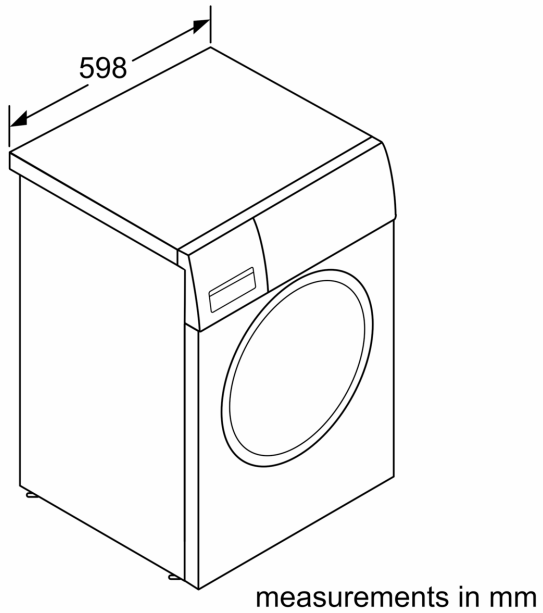
Safety

- Multiple water protection with magnetic valve to minimise risk of leakage
- Child-proof lock

Display Screen & Alerts

- Large LED display screen to indicate: Programme status, Temperature and Spin Speed Selection, Remaining Time and 24 Hour End Time Delay.
- Touch control buttons: On/Off, Prewash, Rinse Plus, Spin Speed Reduction, Time Delay Start, Temperature Selection, Start/Reload, SpeedPerfect, i-Dos 1: Liquid detergent, i-Dos 2: Fabric Softener

**Series 6, washing machine, front loader, 9 kg, 1400 rpm
WGA244ASIN**



Measurements in mm

