

**Series 6, washing machine, front loader, 9 kg, 1400 rpm
WAT286H9IN**



- WMZ20490 Platform with pull-out
- WMZ2200 Floor securing component
- WMZ2381 Extension for cold water inlet /Aquastop

Home Connect: home appliance with smart connectivity for an easier everyday life

- **Home Connect:** home appliances with smart connectivity for an easier everyday life.
- **i-DOS:** automatically measures the precise amount of detergent and water needed.
- **EcoSilence Drive™:** extremely energy-efficient and quiet in operation with a 10-year warranty.
- **Allergy Plus:** developed for allergy sufferers and people with sensitive skin.
- **SpeedPerfect:** perfectly clean in up to 65% less time*.

Built-in / Free-standing:	Freestanding
Door hinge:	left
Color / Material body:	White
Length electrical supply cord:	160.0 cm
Height of the appliance:	848 mm
Dimensions of the product:	848 x 598 x 590 mm
Wheels:	No
Net weight:	72.4 kg
Drum volume:	63 l
Door Frame:	Chrome, blackgray
Noise level washing:	48 dB(A) re 1 pW
Connection rating:	2300 W
Fuse protection:	10 A
Voltage:	220-240 V
Frequency:	50 Hz
Energy Star Qualified:	No
Cord Included:	Yes
Plug type:	India plug (10 Ampere)
Length of supply hose (in):	59.05 "
Dimensions of the packed product:	34.37 x 24.60 x 26.77
Net weight:	160.000 lbs
Gross weight:	161.000 lbs
Length of drain hose:	150.00 cm
Length of supply hose:	150.00 cm
Dimensions of the packed product (HxWxD):	873 x 625 x 680 mm
Gross weight:	73.1 kg
Connection rating:	2300 W
Fuse protection:	10 A
Voltage:	220-240 V
Frequency:	50 Hz
Water protection system:	Multiple water protection
Max. spin speed:	1400 rpm
Spin speed options:	Variable
Digital countdown indicator:	Yes
Maximum capacity in kg (EU 2017/1369):	9.0 kg



Series 6, washing machine, front loader, 9 kg, 1400 rpm WAT286H9IN

Home Connect: home appliance with smart connectivity for an easier everyday life

Technical Information

- Capacity: 8kg
- Dimensions (H x W x D): 84.8cm x 59.8cm x 59.0cm (63.2cm with door frame)
- Maximum spin speed: 1400 rpm
- 32cm porthole, 171° swing door

Programmes

- Cottons, Cotton Eco, Synthetics, Delicates/Silk, Wool, Mix Load, Add on Progr., Outdoor/Waterproofing, Rinse/Spin/Drain, Drum Clean, Quick 15/30min, Shirts, AllergyPLus, Automatic 40°
- Time delay to select end time of your wash (1 - 24 hours) and time remaining indicator
- Reload function to pause machine operation for adding in last minute laundry items

Features

- i-DOS automatic dosing system dispenses the precise amount of liquid detergent for perfect cleaning
- HomeConnect: Remote Monitoring and Control, energy management
- EcoSilence Drive™ friction-free motor minimises heat and wear for long-lasting performance, quiet operation and perfect wash results.
- SpeedPerfect™: high performance programme which reduces wash cycle duration by up to 65%
- EcoProjection provides information on how much energy will be used for a selected program
- VarioDrum's breakthrough wave-droplet design provides a thorough yet gentle clean for fine textiles
- Anti-Vibration Side Panels reduce vibrations and ensure greater stability during the washing and spinning process.
- ActiveWater™ Plus: Pressure and water sensor that measures the washing load and adjusts water intake to 256 precise levels for more cost and water savings
- Self cleaning detergent drawer to remove detergent residue
- Drum Clean with reminder

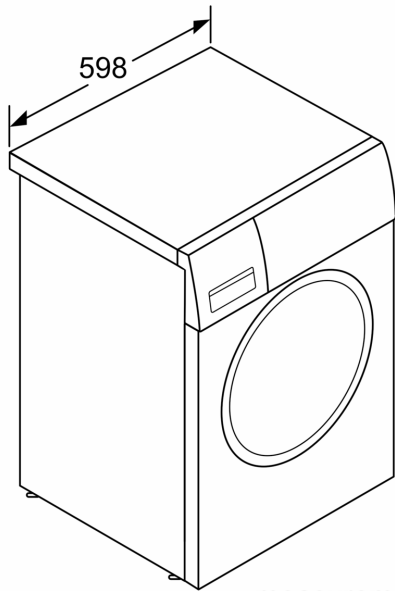
Display Screen & Alerts

- Large LED display screen to indicate: Programme status, Temperature and Spin Speed Selection, Remaining Time and 24 Hour End Time Delay, Load Recommendation and Consumption
- TouchControl buttons: Easy Iron, Start/Reload/Pause, Delay, Temperature and Spin Speed Selection, Rinse Hold, Memory, Rinse Plus +1,+2,+3, Soaking, Remote Start, Basic Setting / Child Lock, iDos 1 (automatically dispense detergent), iDos 2 (automatically dispense fabric softener/detergent)
- Buzzer at the end of the wash programme

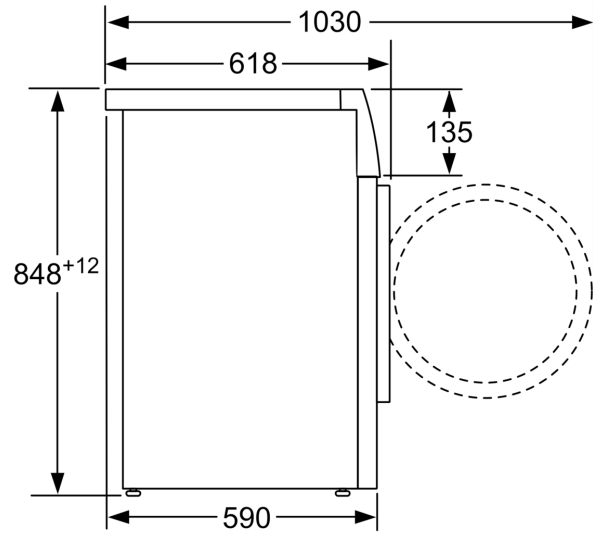
Safety

- Voltmonitor - monitors, regulates and feedback voltage fluctuations to manage unstable electrical supply to protect the washing machine and ensure a smooth wash cycle
- Multiple water protection with magnetic valve to minimise risk of leakage
- Child-proof lock

**Series 6, washing machine, front loader, 9 kg, 1400 rpm
WAT286H9IN**



measurements in mm



measurements in mm