

**Series 4, washing machine, front loader, 7 kg, 1200 rpm
WAK24169IN**



WX975600 Floor securing component
WZ10130 Extension for cold water inlet /Aquastop

The washing machine with Speed+ reduces wash cycles by up to 65%, while achieving the same perfect cleaning results.

Built-in / Free-standing: Freestanding
Door hinge: left
Color / Material body: Silver
Length electrical supply cord: 160.0 cm
Height of the appliance: 850 mm
Dimensions of the product: 850 x 600 x 600 mm
Wheels: No
Net weight: 72.4 kg
Drum volume: 58 l
Door Frame: Silver-black grey
Color Buttons: silver
Color Dial: silver
Noise level washing: 55 dB(A) re 1 pW
Connection rating: 2300 W
Fuse protection: 10 A
Voltage: 220-240 V
Frequency: 50 Hz
Energy Star Qualified: No
Cord Included: No
Plug type: India plug (16 Ampere)
Length of supply hose (in): 59.05 "
Dimensions of the packed product: 37.99 x 25.78 x 27.95
Net weight: 160.000 lbs
Gross weight: 171.000 lbs
Length of drain hose: 150.00 cm
Length of supply hose: 150.00 cm
Dimensions of the packed product (HxWxD): 965 x 710 x 655 mm
Gross weight: 77.5 kg
Connection rating: 2300 W
Fuse protection: 10 A
Voltage: 220-240 V
Frequency: 50 Hz
Water protection system: Multiple water protection
Max. spin speed: 1200 rpm
Spin speed options: Variable
Digital countdown indicator: Yes
Drying progress indicator: LED-display, LED
Maximum capacity in kg (EU 2017/1369): 7.0 kg



Series 4, washing machine, front loader, 7 kg, 1200 rpm WAK24169IN

The washing machine with Speed+ reduces wash cycles by up to 65%, while achieving the same perfect cleaning results.

Technical Information

- rated capacity: 7 kg
- Maximum Spin Speed: 1200 rpm
- Dimensions (H X W X D): 85 x 60 x 60 cm
- 32 cm porthole, 165° swing door

Programmes

- Speed Programs: Cottons, Mix/Daily Wash, Synthetics, Delicates/Silk
- Other Programs: Super 15'/30', Kidswear, AllergyPlus, Wool, Drum Clean, Rinse, Spin/Drain

Features

- Speed+: High Performance Program which reduces wash cycle duration by up to 65%
- ActiveWater™: Pressure sensor that detects half-loads and cuts water intake in half
- VarioDrum's breakthrough wave-droplet design provides a thorough yet gentle clean for fine textiles
- Anti-Vibration Side Panels reduce vibrations and ensure greater stability during the washing and spinning process
- Reload function to pause machine operation for adding a forgotten garment
- Foam detection system to remove excessive foam

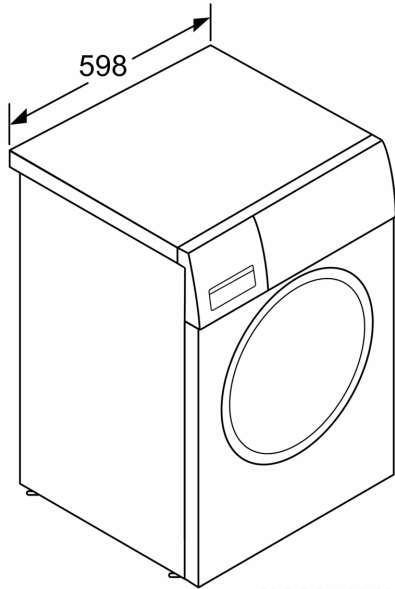
Safety

- Multiple Water Protection with magnetic valve to minimise risk of leakage
- Voltmonitor monitors and regulates voltage fluctuations to protect the washing machine and ensure a smooth wash cycle

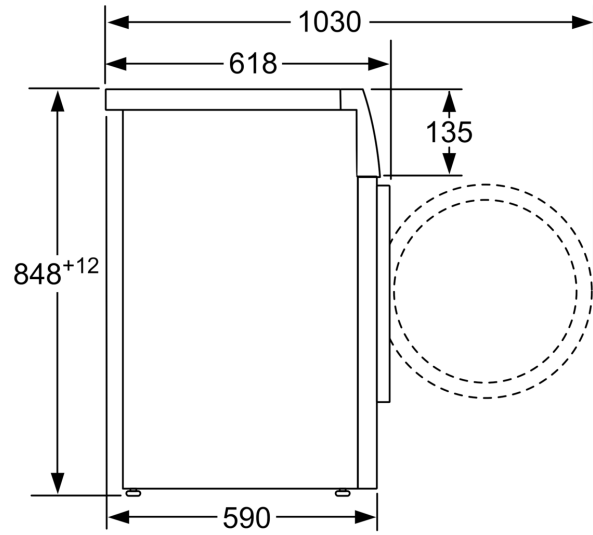
Display Screen & Alerts

- LED display screen to indicate Remaining Time and Spin Speed Selection
- Buzzer at the end of the wash programme

**Series 4, washing machine, front loader, 7 kg, 1200 rpm
WAK24169IN**



measurements in mm



measurements in mm