

**Serie | 4, washing machine, front loader, 7 kg, 1000 rpm
WAK2016TIN**



Minimize tangles by up to 50%

- Minimize tangles by up to 50%
- VarioDrum's breakthrough wave-droplet design provides a thorough yet gentle clean for fine textiles
- **SpeedPerfect:** perfectly clean in up to 65% less time.
- Anti-Vibration Side Panels reduce vibrations and ensure greater stability during the washing and spinning process.
- **Reload function:** allows you to add any forgotten item comfortably while washing.

Technical Data

Built-in / Free-standing : Freestanding
 Door hinge : left
 Length electrical supply cord : 160 cm
 Height for building under : 843.00 mm
 Height of the product : 848 mm
 Dimensions of the product : 848 x 598 x 590 mm
 Wheels : No
 Net weight : 72.385 kg
 Drum volume : 58 l
 Color Buttons : pearl dark grey
 Noise level washing : 55 dB(A) re 1 pW
 Connection Rating : 2300 W
 Fuse protection : 10 A
 Voltage : 220-240 V
 Frequency : 50 Hz
 Energy Star Qualified : No
 Cord Included : No
 Length of drain hose (in) : 59.05
 Length of supply hose (in) : 59.05
 Appliance Dimensions (h x w x d) (inches) : x x
 Dimensions of the packed product : 37.99 x 25.78 x 27.95
 Net weight : 160.000 lbs
 Gross weight : 171.000 lbs
 Length of drain hose : 150.00 cm
 Length of supply hose : 150.00 cm
 Dimensions of the packed product (HxWxD) : 965 x 710 x 655 mm
 Gross weight : 77.5 kg
 Connection Rating : 2300 W
 Fuse protection : 10 A
 Voltage : 220-240 V
 Frequency : 50 Hz
 Approval certificates : CE, VDE
 Water protection system : Multiple water protection
 Number of Options : 5
 Maximum spin speed : 1000 rpm
 Spin speed options : Variable
 Digital countdown indicator : Yes
 Drying progress indicator : LED, LED-display



Serie | 4, washing machine, front loader, 7 kg, 1000 rpm WAK2016TIN

Minimize tangles by up to 50%

Technical Information

- rated capacity: 7 kg
- Maximum Spin Speed: 1000 rpm
- Dimensions (H x W x D): 84.8cm x 59.8cm x 59.0cm (61.8cm with door frame)
- 32 cm porthole, 165° swing door

Programmes

- Cottons Cold, Cottons 40°C, Cottons 60°C Eco, Sportswear 30°C, Synthetics 30°C, Mix Load 30°C, Drum Clean, Spin/Drain, Rinse, Wool, Delicates/Silk 30°C, Kidswear 40°C, Lingerie, Freshen Up 30°C, Super15/30 min

Features

- Anti-Tangle feature minimizes tangles in laundry up to 50%
- SpeedPerfect™: high performance programme which reduces wash cycle duration by up to 65%
- ActiveWater™: Pressure sensor that detects half-loads and cuts water intake in half
- VarioDrum's breakthrough wave-droplet design provides a thorough yet gentle clean for fine textiles
- Anti-Vibration Side Panels reduce vibrations and ensure greater stability during the washing and spinning process
- Start/Reload function to pause machine operation for adding in last minute laundry items

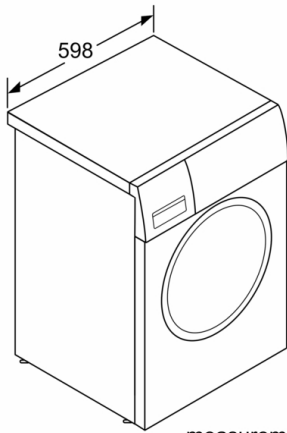
Safety

- Multiple water protection with magnetic valve to minimise risk of leakage
- Voltmonitor monitors and regulates voltage fluctuations to protect the washing machine and ensure a smooth wash cycle

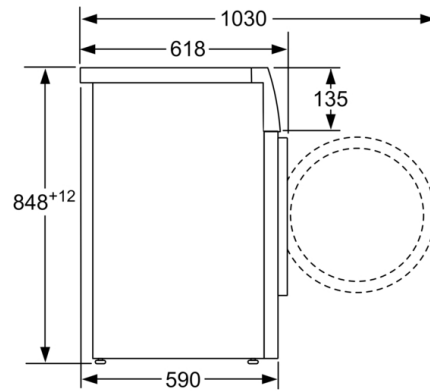
Display Screen & Alerts

- LED display screen to indicate Remaining Time, Spin Speed reduction
- Buzzer at the end of the wash programme

**Serie | 4, washing machine, front loader, 7
kg, 1000 rpm
WAK2016TIN**



measurements in mm



measurements in mm