

**Serie | 4**
**WAK20167IN  
Frontloader 60 cm width**

**Conveniently freshen up lightly-soiled laundry in just 15 minutes with Super 15**

- SpeedPerfect frees up your time by getting your laundry done by up to 65% quicker
- **VoltCheck:** feedback to users in case of unstable electricity supply
- ActiveWater™ technology reduces the amount of water used for more cost savings
- **Reload function:** Allows addition of last minute laundry whenever the wash and water levels allow
- **Special edition for India:** Monsoon and Sari programmes

**Technical Data**

Built-in / Free-standing :	Freestanding
Door hinge :	left
Color / Material body :	Silver
Length electrical supply cord (cm) :	160
Height for building under :	843.00
Height of the product (mm) :	850
Dimensions of the product (mm) :	850 x 600 x 600
Wheels :	No
Net weight (kg) :	72.385
Drum volume (l) :	58
Capacity cotton (kg) :	6.5
Main colour of product :	Silver
Door Frame :	silver-black grey
Color Buttons :	silver
Color Dial :	silver
Connection Rating (W) :	2300
Current (A) :	10
Voltage (V) :	220-240
Frequency (Hz) :	50
Cord Included :	No
Length of drain hose (in) :	59.05
Length of supply hose (in) :	59.05
Appliance Dimensions (h x w x d) (inches) :	x x
Dimensions of the packed product (in) :	37.99 x 25.78 x 27.95
Net weight (lbs) :	160
Gross weight (lbs) :	171
Length of drain hose :	150.00
Length of supply hose :	150.00
Dimensions of the packed product (HxWxD) (mm) :	965 x 710 x 655
Gross weight (kg) :	78.0
Connection Rating (W) :	2300
Current (A) :	10
Voltage (V) :	220-240
Frequency (Hz) :	50
Approval certificates :	CE, VDE
Water protection system :	Multiple water protection
Number of Options :	5
Maximum spin speed (rpm) :	1000
Spin speed options :	Variable
Digital countdown indicator :	Yes
Drying progress indicator :	LED, LED-display



4 242002 943459

## Serie | 4 Washing Machines

### WAK20167IN

#### Frontloader 60 cm width

#### Conveniently freshen up lightly-soiled laundry in just 15 minutes with Super 15

---

##### Design

- Capacity: 6.5 kg
- Maximum spin speed: 1000 rpm

##### Programmes

- Special programmes: Monsoon (Freshen-up) Super Quick 15min / 30 min, Hygiene, Kidswear (Extra clean), Delicate (Silk), Wool (Gentle handwash), Synthetics, Drum Clean

##### Performance

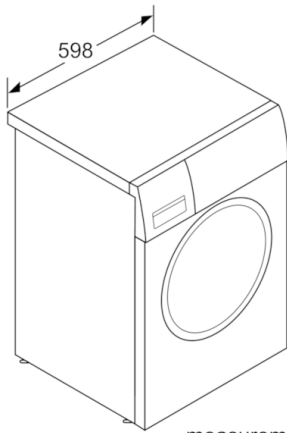
- Consumption: energy - 0.99 kWh; water - 47 l

##### Key features

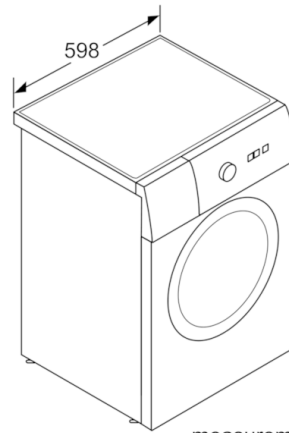
- waterPerfect
- waveDrum
- Multiple water protection
- LED display
- Sari Programme
- AntiVibration Design: more stability and quiet
- Prewash
- ActiveWater
- Foam detection system
- speedPerfect
- Pre-activated SpeedPerfect
- voltMonitor
- WaterPlus
- Monsoon Programme
- Inlay display
- Reload Function

##### Additional features

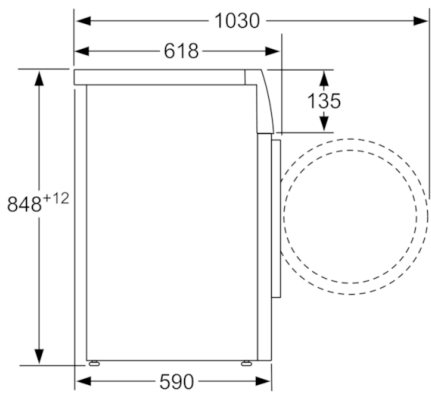
- Dimensions (H X W X D): 85 x 60 x 60 cm
- Noise level washing: 54 dB; Noise level spinning: 74 dB

**Serie | 4 Washing Machines****WAK20167IN****Frontloader 60 cm width**

measurements in mm



measurements in mm



measurements in mm