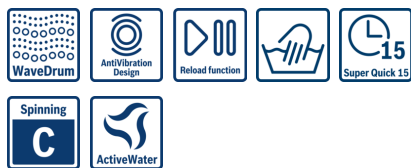


**Serie | 4, Washing machine, front loader, 6.5 kg, 1000 rpm
WAK20165IN**



Conveniently freshen up lightly-soiled laundry in just 15 minutes with Super 15

- SpeedPerfect frees up your time by getting your laundry done by up to 65% quicker
- **VoltCheck:** feedback to users in case of unstable electricity supply
- ActiveWater™ technology reduces the amount of water used for more cost savings
- **Reload function:** Allows addition of last minute laundry whenever the wash and water levels allow
- **Special edition for India:** Monsoon and Sari programmes

Technical Data

Built-in / Free-standing :	Freestanding
Door hinge :	left
Color / Material body :	White
Length electrical supply cord (cm) :	160
Height for building under :	843.00
Height of the product (mm) :	850
Dimensions of the product (mm) :	850 x 600 x 600
Wheels :	No
Net weight (kg) :	70.984
Drum volume (l) :	58
Capacity cotton (kg) :	6.5
Main colour of product :	White
Door Frame :	white-black grey
Color Buttons :	white
Color Dial :	white
Connection Rating (W) :	2300
Current (A) :	10
Voltage (V) :	220-240
Frequency (Hz) :	50
Cord Included :	No
Length of drain hose (in) :	59.05
Length of supply hose (in) :	59.05
Appliance Dimensions (h x w x d) (inches) :	x x
Dimensions of the packed product (in) :	37.99 x 25.78 x 27.95
Net weight (lbs) :	156
Gross weight (lbs) :	168
Length of drain hose :	150.00
Length of supply hose :	150.00
Dimensions of the packed product (HxWxD) (mm) :	965 x 710 x 655
Gross weight (kg) :	76.0
Connection Rating (W) :	2300
Current (A) :	10
Voltage (V) :	220-240
Frequency (Hz) :	50
Approval certificates :	CE, VDE
Water protection system :	Multiple water protection
Number of Options :	5
Maximum spin speed (rpm) :	1000
Spin speed options :	Variable
Digital countdown indicator :	Yes
Drying progress indicator :	LED, LED-display



**Serie | 4, Washing machine, front loader, 6.5 kg, 1000 rpm
WAK20165IN**

Conveniently freshen up lightly-soiled laundry in just 15 minutes with Super 15

Design

- Capacity: 6.5 kg
- Maximum spin speed: 1000 rpm

Programmes

- Programmes: Synthetics, Hygiene, Delicate/Silk, Daily wash, Wool, Cottons

Performance

- Consumption: energy - 0.99 kWh; water - 47 l

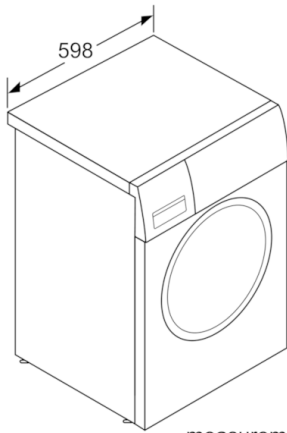
Key features

- waterPerfect
- waveDrum
- Multiple water protection
- LED display screen to indicate Remaining Time and Spin Speed Selection
- Sari Programme
- AntiVibration Design: more stability and quiet
- Prewash
- ActiveWater
- Foam detection system to remove excessive foam
- speedPerfect
- Pre-activated SpeedPerfect
- voltMonitor
- Child-proof lock
- Monsoon Programme
- Inlay display
- Reload Function

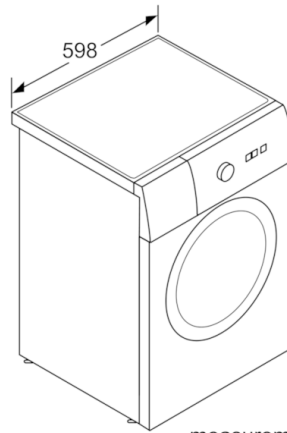
Technical Information

- Dimensions (H X W X D): 85 x 60 x 60 cm
- Noise level washing: 54 dB; Noise level spinning: 74 dB

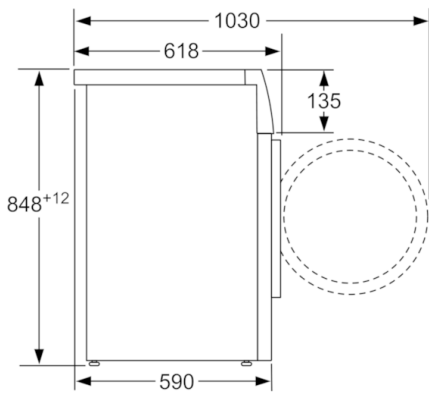
**Serie | 4, Washing machine, front loader, 6.5
kg, 1000 rpm
WAK20165IN**



measurements in mm



measurements in mm



measurements in mm