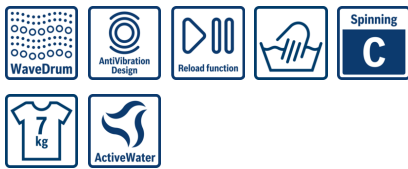


**Serie | 4, Washing machine, front loader, 7 kg, 1000 rpm
WAK20163IN**



Wash, Rinse, Spin within 60mins for perfect results

- The washing machine with Speed+ reduces wash cycles by up to 65%, while achieving the same perfect cleaning results.
- Conveniently freshen up lightly-soiled laundry in just 15 minutes with Super 15
- VarioDrum's breakthrough wave-droplet design provides a thorough yet gentle clean for fine textiles
- Anti-Vibration Side Panels reduce vibrations and ensure greater stability during the washing and spinning process.
- AllergyPlus - the only washer programme that is ECARF-certified and safe for allergy sufferers.

Technical Data

Built-in / Free-standing :	Freestanding
Door hinge :	left
Color / Material body :	White
Length electrical supply cord (cm) :	160
Height for building under :	843.00
Height of the product (mm) :	850
Dimensions of the product (mm) :	850 x 600 x 600
Wheels :	No
Net weight (kg) :	70.984
Drum volume (l) :	58
Capacity cotton (kg) :	7.0
Main colour of product :	White
Door Frame :	white-black grey
Color Buttons :	white
Color Dial :	silver white
Noise level washing (dB(A) re 1 pW) :	49
Connection Rating (W) :	2300
Current (A) :	10
Voltage (V) :	220-240
Frequency (Hz) :	50
Cord Included :	No
Length of drain hose (in) :	59.05
Length of supply hose (in) :	59.05
Appliance Dimensions (h x w x d) (inches) :	x x
Dimensions of the packed product (in) :	37.99 x 25.78 x 27.95
Net weight (lbs) :	156
Gross weight (lbs) :	168
Length of drain hose :	150.00
Length of supply hose :	150.00
Dimensions of the packed product (HxWxD) (mm) :	965 x 710 x 655
Gross weight (kg) :	76.0
Connection Rating (W) :	2300
Current (A) :	10
Voltage (V) :	220-240
Frequency (Hz) :	50
Approval certificates :	CE, VDE
Water protection system :	Multiple water protection
Number of Options :	5
Maximum spin speed (rpm) :	1000
Spin speed options :	Variable
Digital countdown indicator :	Yes
Drying progress indicator :	LED, LED-display



Serie | 4, Washing machine, front loader, 7 kg, 1000 rpm WAK20163IN

Wash, Rinse, Spin within 60mins for perfect results

Technical Information

- Capacity: 7 kg
- Maximum spin speed: 1000 r/min
- Dimensions (H X W X D): 85 x 60 x 60 cm
- 32 cm porthole, 165° swing door

Programmes

- Cottons Cold, Cottons 40°C, Cottons 60°C Ecom Sportswear, Synthetics, Daily Wash, Drum Clean, Spin/Drain, Rinse, Wool, Delicates/Silk, Kidswear, Low Tangel, Express Wash, AlleryPlus, Super15/30 min

Features

- SpeedPerfect™: high performance programme which reduces wash cycle duration by up to 65%
- ActiveWater™: Pressure sensor that detects half-loads and cuts water intake in half
- VarioDrum's breakthrough wave-droplet design provides a thorough yet gentle clean for fine textiles
- Anti-Vibration Side Panels reduce vibrations and ensure greater stability during the washing and spinning process
- Reload function to pause machine operation for adding in last minute laundry items
- Foam detection system to remove excessive foam

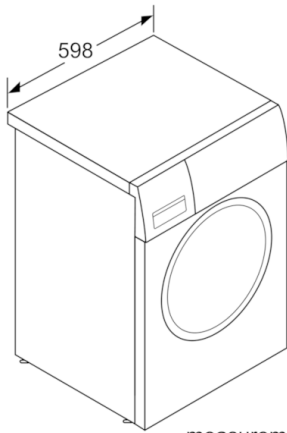
Safety

- Multiple water protection with magnetic valve to minimise risk of leakage
- Voltmonitor monitors and regulates voltage fluctuations to protect the washing machine and ensure a smooth wash cycle

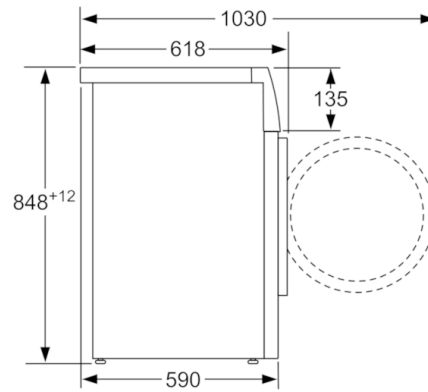
Display Screen & Alerts

- LED display screen to indicate Remaining Time, Spin Speed reduction
- Buzzer at the end of the wash programme

**Serie | 4, Washing machine, front loader, 7
kg, 1000 rpm
WAK20163IN**



measurements in mm



measurements in mm