

**Series 4, washing machine, front loader, 7 kg, 1000 rpm
WAK20160IN**



WX975600 Floor securing component
WZ10130 Extension for cold water inlet /Aquastop

Conveniently freshen up lightly-soiled laundry in just 15 minutes with Super 15

- **rated capacity:** 7 kg
- **Maximum spin speed:** 1000 rpm
- **Consumption:** energy - 0.99 kWh; water - 47 l
- **Noise level washing:** 54 dB; Noise level spinning: 74 dB
- **Programmes:** Synthetics, Hygiene, Delicate/Silk, Daily wash, Wool, Cottons

Built-in / Free-standing: Freestanding
 Door hinge: left
 Color / Material body: White
 Length electrical supply cord: 160.0 cm
 Height of the appliance: 850 mm
 Dimensions of the product: 850 x 600 x 600 mm
 Wheels: No
 Net weight: 71.0 kg
 Drum volume: 58 l
 Door Frame: White-black grey
 Color Buttons: white
 Color Dial: silver white
 Connection rating: 2300 W
 Fuse protection: 10 A
 Voltage: 220-240 V
 Frequency: 50 Hz
 Energy Star Qualified: No
 Cord Included: No
 Plug type: India plug (16 Ampere)
 Length of supply hose (in): 59.05 "
 Dimensions of the packed product: 37.99 x 25.78 x 27.95
 Net weight: 156.000 lbs
 Gross weight: 168.000 lbs
 Length of drain hose: 150.00 cm
 Length of supply hose: 150.00 cm
 Dimensions of the packed product (HxWxD): 965 x 710 x 655 mm
 Gross weight: 76.0 kg
 Connection rating: 2300 W
 Fuse protection: 10 A
 Voltage: 220-240 V
 Frequency: 50 Hz
 Water protection system: Multiple water protection
 Max. spin speed: 1000 rpm
 Spin speed options: Variable
 Digital countdown indicator: Yes
 Drying progress indicator: LED-display, LED
 Maximum capacity in kg (EU 2017/1369): 7.0 kg



Series 4, washing machine, front loader, 7 kg, 1000 rpm WAK20160IN

Conveniently freshen up lightly-soiled laundry in just 15 minutes with Super 15

Performance

- rated capacity: 7 kg
- Maximum spin speed: 1000 rpm
- Consumption: energy - 0.99 kWh; water - 47 l
- Noise level washing: 54 dB; Noise level spinning: 74 dB

Programmes

- Programmes: Synthetics, Hygiene, Delicate/Silk, Daily wash, Wool, Cottons

Key features

- Pre-activated SpeedPerfect
- waveDrum
- Monsoon Programme
- voltMonitor
- AntiVibration Design: more stability and quiet
- LED display screen to indicate Remaining Time and Spin Speed Selection
- Fully electronic control dial for all wash- and special programs
- ActiveWater
- Reload Function
- Child-proof lock
- Foam detection system to remove excessive foam
- Unbalanced load detection
- Multiple Water Protection

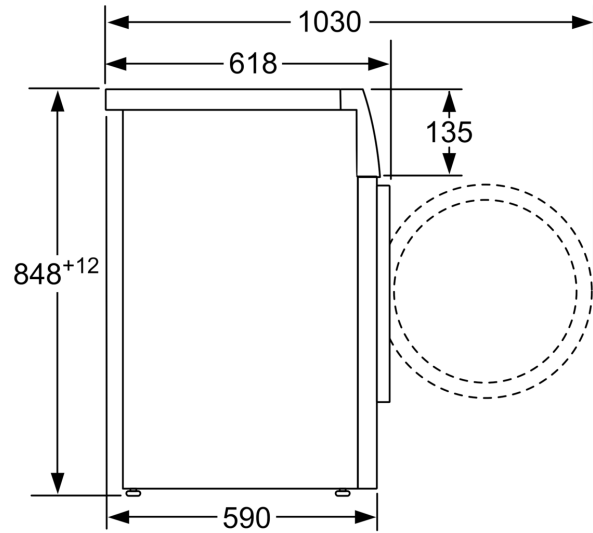
Technical Information

- Dimensions (H X W X D): 85 x 60 x 60 cm

**Series 4, washing machine, front
loader, 7 kg, 1000 rpm
WAK20160IN**



measurements in mm



measurements in mm