

**Series 4, washing machine, front loader, 7 kg, 1000 rpm
WAK2006WIN**



- **Anti-Tangle** feature minimizes tangles in laundry by up to 50% making it gentler on fabric and easier to iron.
- **Vario Drum:** gently and efficiently wash with even water distribution and without creasing garments.
- **Anti-Vibration Side Panels** reduce vibrations and ensure greater stability during the washing and spinning process.
- **AllergyPlus programme:** specially developed for the needs of allergy sufferers.

WX975600 Floor securing component
WZ10130 Extension for cold water inlet /Aquastop

Built-in / Free-standing:	Freestanding
Door hinge:	left
Color / Material body:	White
Length electrical supply cord:	160.0 cm
Height of the appliance:	848 mm
Dimensions of the product:	848 x 598 x 590 mm
Wheels:	No
Net weight:	71.0 kg
Drum volume:	53 l
Door Frame:	White-black grey
Color Buttons:	white
Color Dial:	silver white
Noise level washing:	55 dB(A) re 1 pW
Connection rating:	2300 W
Fuse protection:	10 A
Voltage:	220-240 V
Frequency:	50 Hz
Energy Star Qualified:	No
Cord Included:	No
Plug type:	India plug (16 Ampere)
Length of supply hose (in):	59.05 "
Dimensions of the packed product:	37.99 x 25.78 x 27.95
Net weight:	156.000 lbs
Gross weight:	168.000 lbs
Length of drain hose:	150.00 cm
Length of supply hose:	150.00 cm
Dimensions of the packed product (HxWxD):	965 x 710 x 655 mm
Gross weight:	76.0 kg
Connection rating:	2300 W
Fuse protection:	10 A
Voltage:	220-240 V
Frequency:	50 Hz
Water protection system:	Multiple water protection
Max. spin speed:	1000 rpm
Digital countdown indicator:	No
Drying progress indicator:	LED
Maximum capacity in kg (EU 2017/1369):	7.0 kg



Series 4, washing machine, front loader, 7 kg, 1000 rpm WAK2006WIN

Technical Information

- Capacity: 7 kg
- Maximum spin speed: 1000 r/min
- Dimensions (H x W x D): 84.8cm x 59.8cm x 59.0cm (61.8cm with door frame)
- 32 cm porthole, 165° swing door

Programmes

- Cottons Cold, Cottons 40°C, Cottons 60°C Eco 60°C, Synthetics 30°C, Mixed Load 30°C, Rinse, Spin, Drain, Wool, Delicates 30°C, Drum Clean, Kidswear 40°C, AllergyPlus, Super15/30 min

Features

- SpeedPerfect™: high performance programme which reduces wash cycle duration by up to 65%
- ActiveWater™: Pressure sensor that detects half-loads and cuts water intake in half
- VarioDrum's breakthrough wave-droplet design provides a thorough yet gentle clean for fine textiles
- Anti-Vibration Side Panels reduce vibrations and ensure greater stability during the washing and spinning process
- Foam detection system to remove excessive foam

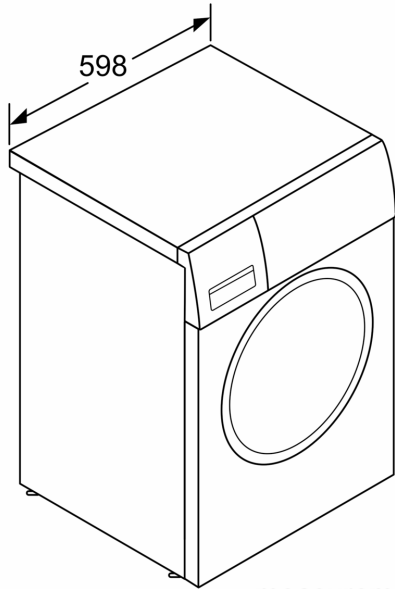
Safety

- Multiple Water Protection with magnetic valve to minimise risk of leakage

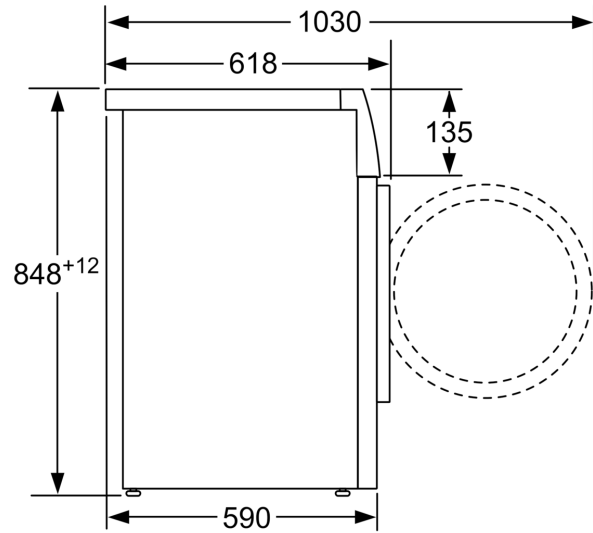
Display Screen & Alerts

- Buzzer at the end of the wash programme

**Series 4, washing machine, front loader, 7 kg, 1000 rpm
WAK2006WIN**



measurements in mm



measurements in mm