

**Series 4, washing machine, front loader, 6.5 kg, 1000 rpm  
WAK20061IN**



**The washing machine with Quick reduces wash cycles by up to 65%, while achieving the same perfect cleaning results.**

WX975600 Floor securing component  
WZ10130 Extension for cold water inlet /Aquastop

Built-in / Free-standing: ..... Freestanding  
Door hinge: ..... left  
Color / Material body: ..... White  
Length electrical supply cord: ..... 160.0 cm  
Height of the appliance: ..... 850 mm  
Dimensions of the product: ..... 850 x 600 x 600 mm  
Wheels: ..... No  
Net weight: ..... 71.0 kg  
Drum volume: ..... 53 l  
Door Frame: ..... White-black grey  
Color Buttons: ..... white  
Color Dial: ..... silver white  
Noise level washing: ..... 55 dB(A) re 1 pW  
Connection rating: ..... 2300 W  
Fuse protection: ..... 10 A  
Voltage: ..... 220-240 V  
Frequency: ..... 50 Hz  
Energy Star Qualified: ..... No  
Cord Included: ..... No  
Plug type: ..... India plug (16 Ampere)  
Length of supply hose (in): ..... 59.05 "  
Dimensions of the packed product: ..... 37.99 x 25.78 x 27.95  
Net weight: ..... 156.000 lbs  
Gross weight: ..... 168.000 lbs  
Length of drain hose: ..... 150.00 cm  
Length of supply hose: ..... 150.00 cm  
Dimensions of the packed product (HxWxD): ..... 965 x 710 x 655 mm  
Gross weight: ..... 76.0 kg  
Connection rating: ..... 2300 W  
Fuse protection: ..... 10 A  
Voltage: ..... 220-240 V  
Frequency: ..... 50 Hz  
Water protection system: ..... Multiple water protection  
Max. spin speed: ..... 1000 rpm  
Digital countdown indicator: ..... No  
Drying progress indicator: ..... LED  
Maximum capacity in kg (EU 2017/1369): ..... 6.5 kg



**Series 4, washing machine, front loader, 6.5 kg, 1000 rpm  
WAK20061IN**

**The washing machine with Quick reduces wash cycles by up to 65%, while achieving the same perfect cleaning results.**

---

**Technical Information**

- rated capacity: 6.5 kg
- Maximum Spin Speed: 1000 rpm
- Dimensions (H X W X D): 85 cm x 60 cm x 60 cm (63.2cm with door frame)
- 32 cm porthole, 165° swing door

**Programmes**

- Speed Programs: Cottons, Mix/Daily Wash, Synthetics, Delicates/Silk
- Other Programs: Super 15'/30', Kidswear, AllergyPlus, Wool, Drum Clean, Rinse, Drain

**Features**

- Quick: High Performance Program which reduces wash cycle duration by up to 65%
- ActiveWater™: Pressure sensor that detects half-loads and cuts water intake accordingly
- VarioDrum's breakthrough wave-droplet design provides a thorough yet gentle clean for fine textiles
- Anti-Vibration Side Panels reduce vibrations and ensure greater stability during the washing and spinning process
- Foam detection system to remove excessive foam

**Safety**

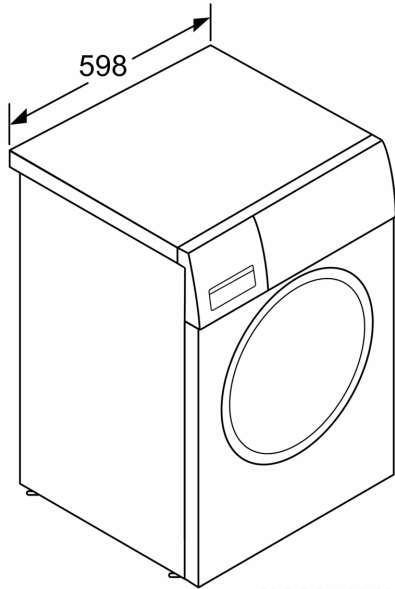
- Multiple Water Protection

**Display Screen & Alerts**

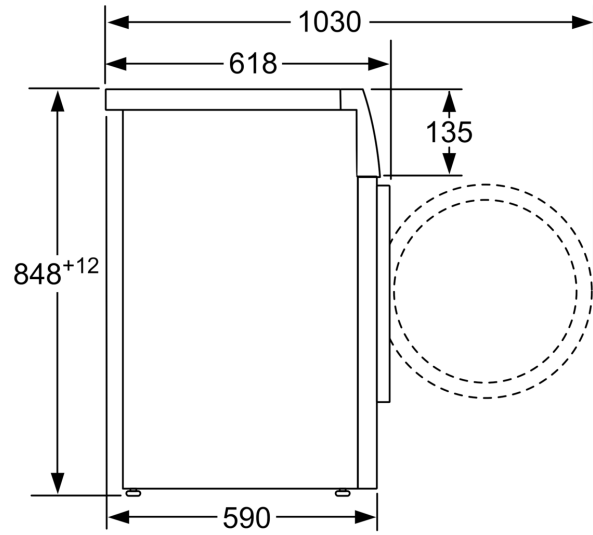
- Buzzer at the end of the wash programme

**Series 4, washing machine, front loader, 6.5 kg, 1000 rpm  
WAK20061IN**

---



measurements in mm



measurements in mm