

**Series 6, washing machine, front loader, 7.5 kg, 1200 rpm
WAJ2446IIN**



WX975600 Floor securing component
WZ10130 Extension for cold water inlet /Aquastop

Minimize tangles by up to 50%

- **Anti-Tangle** feature minimizes tangles in laundry by up to 50% making it gentler on fabric and easier to iron.
- **99.99% bacterial reduction**
- **Eco Silence Drive™**: the efficient and highly durable washing machine drive.
- **SpeedPerfect**: perfectly clean in up to 65% less time*.
- **Vario Drum**: gently and efficiently wash with even water distribution and without creasing garments.
- **Anti-Tangle** feature minimizes tangles in laundry by up to 50% making it gentler on fabric and easier to iron
- **VarioDrum's** breakthrough wave-droplet design provides a thorough yet gentle clean for fine textiles

Built-in / Free-standing:	Freestanding
Door hinge:	left
Color / Material body:	Silver
Length electrical supply cord:	160.0 cm
Height of the appliance:	848 mm
Dimensions of the product:	848x598x590 mm
Wheels:	No
Net weight:	72.1 kg
Drum volume:	58 l
Door Frame:	Silver-black
Color Buttons:	white
Color Dial:	silver
Noise level washing:	53 dB(A) re 1pW
Connection rating:	2300 W
Fuse protection:	10 A
Voltage:	220-240 V
Frequency:	50 Hz
Energy Star Qualified:	No
Cord Included:	Yes
Plug type:	India plug (16 Ampere)
Length of supply hose (in):	59.05 "
Dimensions of the packed product:	34.44 x 25.78 x 27.95
Net weight:	159.000 lbs
Gross weight:	169.000 lbs
Length of drain hose:	150.00 cm
Length of supply hose:	150.00 cm
Dimensions of the packed product (HxWxD):	875 x 655 x 710 mm
Gross weight:	76.5 kg
Connection rating:	2300 W
Fuse protection:	10 A
Voltage:	220-240 V
Frequency:	50 Hz
Water protection system:	Multiple water protection
Max. spin speed:	1200 rpm
Spin speed options:	Variable
Digital countdown indicator:	Yes
Drying progress indicator:	LED-display, LED
Maximum capacity in kg (EU 2017/1369):	7.5 kg



Series 6, washing machine, front loader, 7.5 kg, 1200 rpm WAJ2446IIN

Minimize tangles by up to 50%

Technical Information

- Capacity: 7.5kg
- Dimensions (HxWxD): 84.8cm x 59.8cm x 59.0cm (63.6cm with door frame)
- Maximum spin speed: 1200 rpm
- 32 cm porthole, 165° swing door

Programmes

- Cottons, Cottons 60° Label, Synthetics, Mix Load, Delicates/Silk, Wool, Drum Descaler, Spin/Drain, Rinse, Shirts, Sportswear, Jeans/Dark wash, Anti-Bacteria, Freshen-Up, Quick 15/30min

Features

- Anti-Bacteria programme removes 99.9% of bacteria
- EcoSilence Drive™ friction-free motor minimises heat and wear for long-lasting performance, quiet operation and perfect wash results.
- SpeedPerfect™: high performance programme which reduces wash cycle duration by up to 65%
- ActiveWater™: automatic load adjustment system
- Time delay to select end time of your wash (1 - 24 hours) and time remaining indicator
- Anti-Vibration Side Panels reduce vibrations and ensure greater stability during the washing and spinning process
- Foam detection system to remove excessive foam

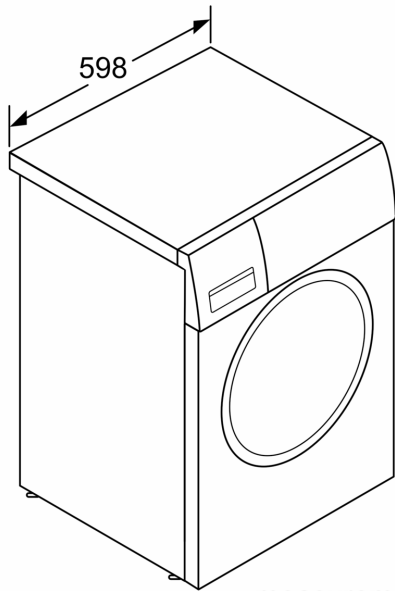
Safety

- Voltmonitor - monitors, regulates and feedback voltage fluctuations to manage unstable electrical supply to protect the washing machine and ensure a smooth wash cycle
- Multiple Water Protection with magnetic valve to minimise risk of leakage
- Child-proof lock

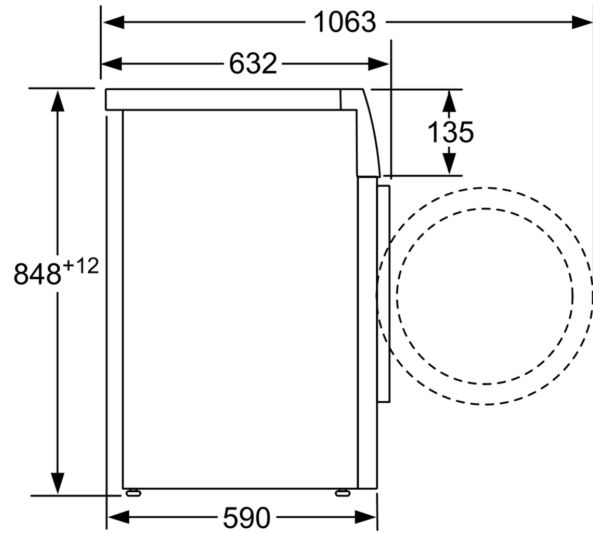
Display Screen & Alerts

- Large LED display screen to indicate: Programme status, Temperature and Spin Speed Selection, Remaining Time and 24 Hour End Time Delay.
- TouchControl buttons: Start/Reload, Temperature, SpeedPerfect, Rinse Plus, Spin Speed Reduction
- Buzzer at the end of the wash programme

**Series 6, washing machine, front loader, 7.5 kg, 1200 rpm
WAJ2446IIN**



measurements in mm



measurements in mm