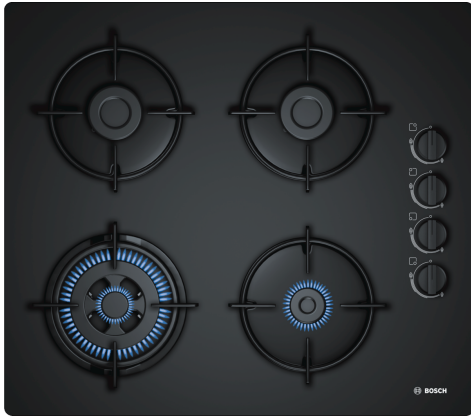


**Series 2, Gas hob, 60 cm, Tempered glass, Black
POH6B6B10I**



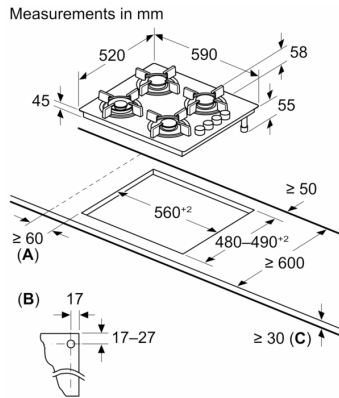
- HEZ298105 Simmer plate
- HEZ298110 Wok ring
- HEZ298114 Small pot support

**The gas hob with side-mounted controls:
the desired cooking zones can be
conveniently operated from the side.**

Product name/family:gas hob w integrated controls
 Built-in / Free-standing: Built-in
 Energy input:Gas
 Total number of positions that can be used at the same time: 4
 Type of control setting devices: sword knobs
 Min. required niche size for installation (HxWxD):45 x 560-562 x 480-492 mm
 Width of the appliance: 590 mm
 Dimensions: 56 x 590 x 520 mm
 Dimensions of the packed product (HxWxD): 141 x 651 x 578 mm
 Net weight:9.6 kg
 Gross weight: 10.5 kg
 Residual heat indicator: without
 Location of control panel: Lateral
 Basic surface material: Tempered glass
 Color of surface:Black
 Color of frame: Black
 Length electrical supply cord: 100.0 cm
 Knob Material:Plastic
 Sealed Burners: No
 Power of heating element (kW):3.3 kW
 Power of 3rd heating element (kW): 1.7 kW
 Power of 5th heating element (kW): 1.7 kW
 Connection rating: 1 W
 Gas connection rating: 7700 W
 Fuse protection:3 A
 Voltage: 220-240 V
 Frequency: 50; 60 Hz
 Energy input:Gas
 Gas type: Liquidgas G30,31 28-30/37 mbar
 Alternative gas type: Nat gas H/E/(L) 20 (25) mbar
 Plug type: India plug (6 Ampere)
 Appliance Dimensions (h x w x d) (in): x x
 Dimensions of the packed product: 5.55 x 22.75 x 25.62
 Net weight:21.000 lbs
 Gross weight: 23.000 lbs
 Total number of positions that can be used at the same time: 4
 Length electrical supply cord: 100.0 cm
 Min. required niche size for installation (HxWxD):45 x 560-562 x 480-492 mm
 Dimensions: 56 x 590 x 520 mm
 Dimensions of the packed product (HxWxD): 141 x 651 x 578 mm
 Net weight:9.6 kg
 Gross weight: 10.5 kg



**Series 2, Gas hob, 60 cm, Tempered glass, Black
POH6B6B10I**



A: Min. distance from the hob cut-out to the wall

B: Position of gas connection in the cut-out

C: With fitted oven underneath possibly more; see space requirements for the oven