

Series 6, Gas hob, 90 cm, Tempered glass, Black PNV9B6G20I



HEZ211310	Simmer cap
HEZ298105	Simmer plate
HEZ298114	Small pot support

- **Low Profile Stainless Steel Cooking Surface is Easily Accessible and Quick to Clean**
- **6mm Tempered Glass**
- **Dual flame power burner with two heat options, quickly boil water or maintain a precise simmer.**

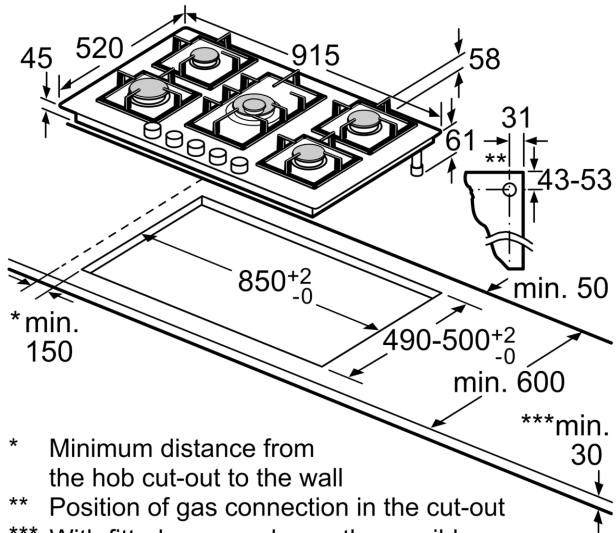
Product name/family: gas hob w integrated controls
 Built-in / Free-standing: Built-in
 Energy input: Gas
 Total number of positions that can be used at the same time: 5
 Type of control setting devices: sword knobs
 Min. required niche size for installation (HxWxD): 45 x 850-852 x 490-502 mm
 Width of the appliance: 915 mm
 Dimensions: 56x915x520 mm
 Dimensions of the packed product (HxWxD): ... 165 x 1116 x 659 mm
 Net weight: 21.4 kg
 Gross weight: 23.6 kg
 Residual heat indicator: without
 Location of control panel: Front
 Basic surface material: Tempered glass
 Color of surface: Black
 Color of frame: Black
 Length electrical supply cord: 150.0 cm
 Knob Material: Plastic
 Sealed Burners: No
 Power of heating element (kW): 4 kW
 Power of 3rd heating element (kW): 1.7 kW
 Power of 5th heating element (kW): 1.7 kW
 Connection rating: 1 W
 Gas connection rating: 13700 W
 Fuse protection: 3 A
 Voltage: 220-240 V
 Frequency: 50 Hz
 Energy input: Gas
 Gas type: Liquidgas G30,31 28-30/37 mbar
 Alternative gas type: Nat gas H/E/(L) 20 (25) mbar
 Plug type: India plug (6 Ampere)
 Appliance Dimensions (h x w x d) (in): x x
 Dimensions of the packed product: 6.49 x 25.94 x 43.93
 Net weight: 47.000 lbs
 Gross weight: 52.000 lbs
 Total number of positions that can be used at the same time: 5
 Length electrical supply cord: 150.0 cm
 Min. required niche size for installation (HxWxD): 45 x 850-852 x 490-502 mm
 Dimensions: 56x915x520 mm
 Dimensions of the packed product (HxWxD): ... 165 x 1116 x 659 mm
 Net weight: 21.4 kg
 Gross weight: 23.6 kg





**Series 6, Gas hob, 90 cm, Tempered
glass, Black
PNV9B6G20I**

**Series 6, Gas hob, 90 cm, Tempered glass, Black
PNV9B6G20I**



- * Minimum distance from the hob cut-out to the wall
 - ** Position of gas connection in the cut-out
 - *** With fitted oven underneath, possibly more; see space requirements for the oven
- measurements in mm