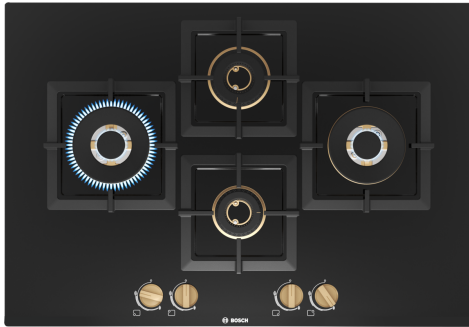


## Series 6, Gas hob, 75 cm, Tempered glass, Black PNI7B6F20I



HEZ211310	Simmer cap
HEZ298105	Simmer plate
HEZ298108	Wok ring
HEZ298115	Small pot support

- Four powerful gas burners allows you to cook multiple dishes with a full range BTU performance.
- Wok burner: powerful cooking at up to 4 kW (depending on gas type).
- 6mm Tempered Glass
- Low Profile Stainless Steel Cooking Surface is Easily Accessible and Quick to Clean

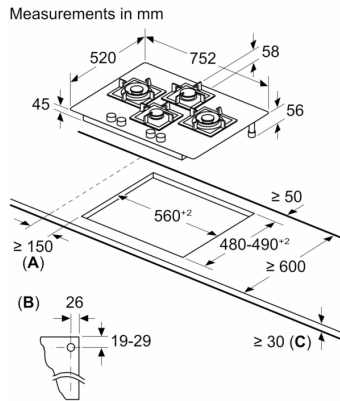
Product name/family: .....gas hob w integrated controls  
 Built-in / Free-standing: ..... Built-in  
 Energy input: .....Gas  
 Total number of positions that can be used at the same time: ..... 4  
 Type of control setting devices: ..... sword knobs  
 Min. required niche size for installation (HxWxD): .....45 x 560-562 x 480-492 mm  
 Width of the appliance: .....752 mm  
 Dimensions: ..... 56x752x520 mm  
 Dimensions of the packed product (HxWxD): ..... 165 x 841 x 656 mm  
 Net weight: ..... 17.8 kg  
 Gross weight: ..... 19.6 kg  
 Residual heat indicator: ..... without  
 Location of control panel: ..... Front  
 Basic surface material: ..... Tempered glass  
 Color of surface: .....Black  
 Color of frame: ..... Black  
 Length electrical supply cord: ..... 100.0 cm  
 Knob Material: .....Plastic  
 Sealed Burners: ..... No  
 Power of 2nd heating element (kW): .....4 kW  
 Power of 4th heating element (kW): ..... 2.3 kW  
 Connection rating: ..... 1 W  
 Gas connection rating: ..... 12000 W  
 Fuse protection: .....3 A  
 Voltage: ..... 220-240 V  
 Frequency: ..... 50 Hz  
 Energy input: .....Gas  
 Gas type: ..... Liquidgas G30,31 28-30/37 mbar  
 Alternative gas type: ..... Nat gas H/E/(L) 20 (25) mbar  
 Plug type: ..... India plug (6 Ampere)  
 Appliance Dimensions (h x w x d) (in): ..... x x  
 Dimensions of the packed product: ..... 6.49 x 25.82 x 33.11  
 Net weight: .....39.000 lbs  
 Gross weight: ..... 43.000 lbs  
 Total number of positions that can be used at the same time: ..... 4  
 Length electrical supply cord: ..... 100.0 cm  
 Min. required niche size for installation (HxWxD): .....45 x 560-562 x 480-492 mm  
 Dimensions: ..... 56x752x520 mm  
 Dimensions of the packed product (HxWxD): ..... 165 x 841 x 656 mm  
 Net weight: ..... 17.8 kg  
 Gross weight: ..... 19.6 kg



**Series 6, Gas hob, 75 cm, Tempered  
glass, Black  
PNI7B6F20I**

---

**Series 6, Gas hob, 75 cm, Tempered glass, Black  
PNI7B6F20I**



**A:** Min. distance from the hob cut-out to the wall

**B:** Position of gas connection in the cut-out

**C:** With fitted oven underneath possibly more; see space requirements for the oven