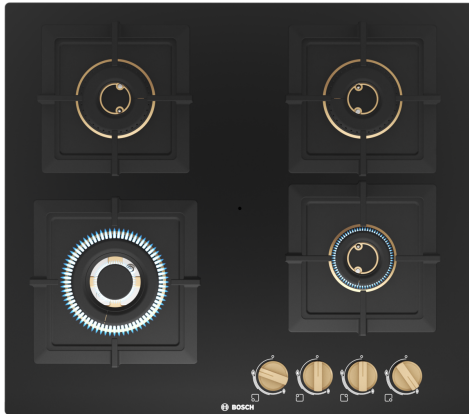


## Series 4, Gas hob, 60 cm, Tempered glass, Black PNH6B6F20I



HEZ298105 Simmer plate  
HEZ298108 Wok ring  
HEZ298114 Small pot support

- 6mm Tempered Glass
- Four powerful gas burners allows you to cook multiple dishes with a full range BTU performance.
- Low Profile Stainless Steel Cooking Surface is Easily Accessible and Quick to Clean
- Wok burner: powerful cooking at up to 4 kW (depending on gas type).

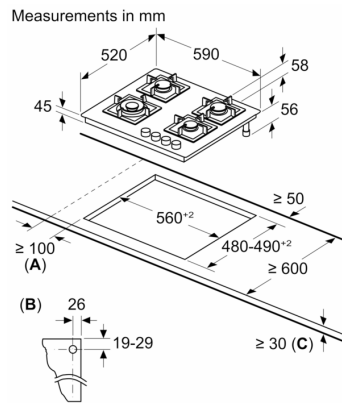
Product name/family: .....gas hob w integrated controls  
Built-in / Free-standing: ..... Built-in  
Energy input: .....Gas  
Total number of positions that can be used at the same time: ..... 4  
Type of control setting devices: ..... sword knobs  
Min. required niche size for installation (HxWxD): .....45 x 560-562 x 480-492 mm  
Width of the appliance: ..... 590 mm  
Dimensions: ..... 56x590x520 mm  
Dimensions of the packed product (HxWxD): ..... 141 x 651 x 578 mm  
Net weight: ..... 15.0 kg  
Gross weight: ..... 15.8 kg  
Residual heat indicator: ..... without  
Basic surface material: ..... Tempered glass  
Color of surface: .....Black  
Color of frame: ..... Black  
Length electrical supply cord: ..... 100.0 cm  
Knob Material: .....Plastic  
Sealed Burners: ..... No  
Power of heating element (kW): .....4 kW  
Power of 3rd heating element (kW): ..... 2.3 kW  
Power of 5th heating element (kW): ..... 2.3 kW  
Connection rating: ..... 1 W  
Gas connection rating: ..... 10300 W  
Fuse protection: .....3 A  
Voltage: ..... 220-240 V  
Frequency: ..... 50 Hz  
Energy input: .....Gas  
Gas type: ..... Liquidgas G30,31 28-30/37 mbar  
Alternative gas type: ..... Nat gas H/E/(L) 20 (25) mbar  
Plug type: ..... India plug (16 Ampere)  
Appliance Dimensions (h x w x d) (in): ..... x x  
Dimensions of the packed product: ..... 5.55 x 22.75 x 25.62  
Net weight: .....33.000 lbs  
Gross weight: ..... 35.000 lbs  
Total number of positions that can be used at the same time: ..... 4  
Length electrical supply cord: ..... 100.0 cm  
Min. required niche size for installation (HxWxD): .....45 x 560-562 x 480-492 mm  
Dimensions: ..... 56x590x520 mm  
Dimensions of the packed product (HxWxD): ..... 141 x 651 x 578 mm  
Net weight: ..... 15.0 kg  
Gross weight: ..... 15.8 kg



**Series 4, Gas hob, 60 cm, Tempered  
glass, Black  
PNH6B6F20I**

---

**Series 4, Gas hob, 60 cm, Tempered glass, Black  
PNH6B6F20I**



**A:** Min. distance from the hob cut-out to the wall

**B:** Position of gas connection in the cut-out

**C:** With fitted oven underneath possibly more; see space requirements for the oven