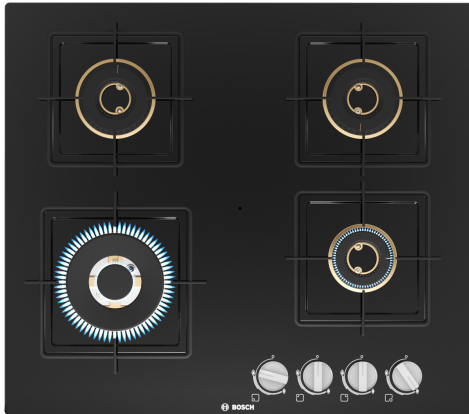


## Series 4, Gas hob, 60 cm, Tempered glass, Black PNH6B6F10I



HEZ298105 Simmer plate  
HEZ298110 Wok ring  
HEZ298114 Small pot support

- 6mm Tempered Glass
- Four powerful gas burners allows you to cook multiple dishes with a full range BTU performance.
- Low Profile Stainless Steel Cooking Surface is Easily Accessible and Quick to Clean

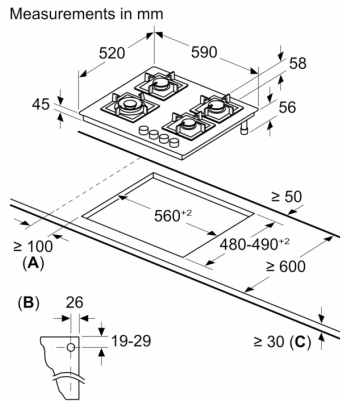
Product name/family: ..... gas hob w integrated controls  
 Built-in / Free-standing: ..... Built-in  
 Energy input: ..... Gas  
 Total number of positions that can be used at the same time: ..... 4  
 Type of control setting devices: ..... sword knobs  
 Min. required niche size for installation (HxWxD): ..... 45 x 560-562 x 480-492 mm  
 Width of the appliance: ..... 590 mm  
 Dimensions: ..... 56x590x520 mm  
 Dimensions of the packed product (HxWxD): ..... 141 x 651 x 578 mm  
 Net weight: ..... 13.1 kg  
 Gross weight: ..... 14.0 kg  
 Residual heat indicator: ..... without  
 Location of control panel: ..... Front  
 Basic surface material: ..... Tempered glass  
 Color of surface: ..... Black  
 Color of frame: ..... Black  
 Length electrical supply cord: ..... 100.0 cm  
 Knob Material: ..... Plastic  
 Sealed Burners: ..... No  
 Power of heating element (kW): ..... 4 kW  
 Power of 3rd heating element (kW): ..... 2.3 kW  
 Power of 5th heating element (kW): ..... 2.3 kW  
 Connection rating: ..... 1 W  
 Gas connection rating: ..... 10300 W  
 Fuse protection: ..... 3 A  
 Voltage: ..... 220-240 V  
 Frequency: ..... 50 Hz  
 Energy input: ..... Gas  
 Gas type: ..... Liquidgas G30,31 28-30/37 mbar  
 Alternative gas type: ..... Nat gas H/E/(L) 20 (25) mbar  
 Plug type: ..... India plug (6 Ampere)  
 Appliance Dimensions (h x w x d) (in): ..... x x  
 Dimensions of the packed product: ..... 5.55 x 22.75 x 25.62  
 Net weight: ..... 29.000 lbs  
 Gross weight: ..... 31.000 lbs  
 Total number of positions that can be used at the same time: ..... 4  
 Length electrical supply cord: ..... 100.0 cm  
 Min. required niche size for installation (HxWxD): ..... 45 x 560-562 x 480-492 mm  
 Dimensions: ..... 56x590x520 mm  
 Dimensions of the packed product (HxWxD): ..... 141 x 651 x 578 mm  
 Net weight: ..... 13.1 kg  
 Gross weight: ..... 14.0 kg



**Series 4, Gas hob, 60 cm, Tempered  
glass, Black  
PNH6B6F10I**

---

**Series 4, Gas hob, 60 cm, Tempered glass, Black  
PNH6B6F10I**



**A:** Min. distance from the hob cut-out to the wall

**B:** Position of gas connection in the cut-out

**C:** With fitted oven underneath possibly more; see space requirements for the oven