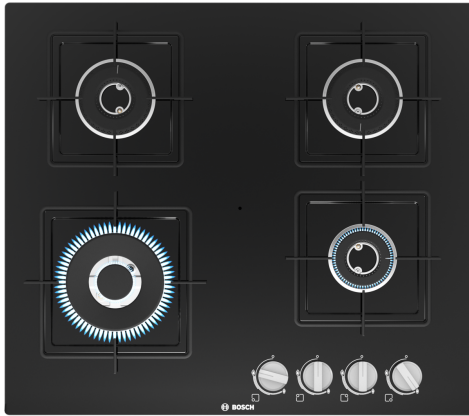


Series 4, Gas hob, 60 cm, Tempered glass, Black PNH6B6B12I



HEZ298104	Simmer cap
HEZ298105	Simmer plate
HEZ298110	Wok ring
HEZ298114	Small pot support

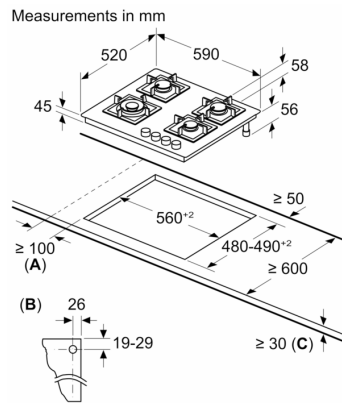
- **6mm Tempered Glass**
- **Four powerful gas burners allows you to cook multiple dishes with a full range BTU performance.**
- **Low Profile Stainless Steel Cooking Surface is Easily Accessible and Quick to Clean**

Product name/family: gas hob w integrated controls
 Built-in / Free-standing: Built-in
 Energy input: Gas
 Total number of positions that can be used at the same time: 4
 Type of control setting devices: sword knobs
 Min. required niche size for installation (HxWxD): 45 x 560-562 x 480-492 mm
 Width of the appliance: 590 mm
 Dimensions: 56x590x520 mm
 Dimensions of the packed product (HxWxD): 141 x 651 x 578 mm
 Net weight: 12.1 kg
 Gross weight: 13.0 kg
 Residual heat indicator: without
 Location of control panel: Front
 Basic surface material: Tempered glass
 Color of surface: Black
 Color of frame: Black
 Length electrical supply cord: 100.0 cm
 Knob Material: Plastic
 Sealed Burners: No
 Power of heating element (kW): 4 kW
 Power of 3rd heating element (kW): 2.3 kW
 Power of 5th heating element (kW): 2.3 kW
 Connection rating: 1 W
 Gas connection rating: 10300 W
 Fuse protection: 3 A
 Voltage: 220-240 V
 Frequency: 50 Hz
 Energy input: Gas
 Gas type: Liquidgas G30,31 28-30/37 mbar
 Alternative gas type: Nat gas H/E/(L) 20 (25) mbar
 Plug type: India plug (6 Ampere)
 Appliance Dimensions (h x w x d) (in): x x
 Dimensions of the packed product: 5.55 x 22.75 x 25.62
 Net weight: 27.000 lbs
 Gross weight: 29.000 lbs
 Total number of positions that can be used at the same time: 4
 Length electrical supply cord: 100.0 cm
 Min. required niche size for installation (HxWxD): 45 x 560-562 x 480-492 mm
 Dimensions: 56x590x520 mm
 Dimensions of the packed product (HxWxD): 141 x 651 x 578 mm
 Net weight: 12.1 kg
 Gross weight: 13.0 kg



**Series 4, Gas hob, 60 cm, Tempered
glass, Black
PNH6B6B12I**

Series 4, Gas hob, 60 cm, Tempered glass, Black PNH6B6B12I



A: Min. distance from the hob cut-out to the wall

B: Position of gas connection in the cut-out

C: With fitted oven underneath possibly more; see space requirements for the oven